



MORTUARY REFRIGERATION SYSTEMS



MORTUARY REFRIGERATION SYSTEMS

Two Body.....	2	Nine Body	17
Two Body Mobile	3	Ten Body	18
Three Body	4	Six or Nine Body.....	19
Economy Two & Three Body.....	5	Twelve Body	20
Roll-In Two Body.....	6	Fifteen Body	21
Two or Three Body	7	Bariatric Capacity & Pass Through Units.....	22-23
Three Body	8	Telescopic Rack Style Options.....	24-25
Two Body Side Acting	9	Walk-In Specifications.....	26-28
Three Body Side Acting	10	Walk-In Typical Panel Assembly and details	29
Four Body.....	11	Walk-In 4 to 5 Body Storage	30
Two or Four Body	12	Walk-In 8 to 10 Body Storage	31
Six Body (Horizontal).....	13	Walk-In 16 to 20 Body Storage	32
Six Body (Vertical).....	14	Walk-In 24 to 30 Body Storage	33
Four or Six Body	15	Walk-In 40 to 50 Body Storage	34
Eight Body	16		

REFRIGERATION SYSTEMS

STANDARD DESIGN FEATURES

Dimensions

Width: 38 in./96 cm.
Depth: 97 in./246 cm.
Height: 79 in./203 cm.

Doors (2)

Width: 27 in./68 cm.
Height: 22 in./55 cm.

- Overlap door w/ magnetic gasket

Installation

- Unit ships fully assembled, simply plug unit into an outlet and the unit is operational

Exterior of Box

- Front - .032 in. Type 304 stainless steel with a No. 4 finish
- Top, sides, and back - .040 in. stucco embossed aluminum

Interior of Box

- Walls & ceiling - .040 in. stucco embossed aluminum
- Floor .032 in. smooth aluminum with .75 in/2 cm. CDX plywood reinforced understructure

Insulation

- 4 in./10 cm. foamed in place urethane (UL listed, Class 1)

Rack System

- (2) three piece telescopic fabricated of extruded aluminum with nylon rollers

Removable tray

- (2) 18 gauge Type 304 stainless steel w/No. 4 finish

Hardware

- Heavy-duty chrome plated hardware for long lasting use

Lighting

- (1) Vapor proof light w/switch

Refrigeration

- Drop-in self-contained refrigeration system with digital thermometer and easy to adjust temperature controller

Operating temperature

- 38°F/3.3°C

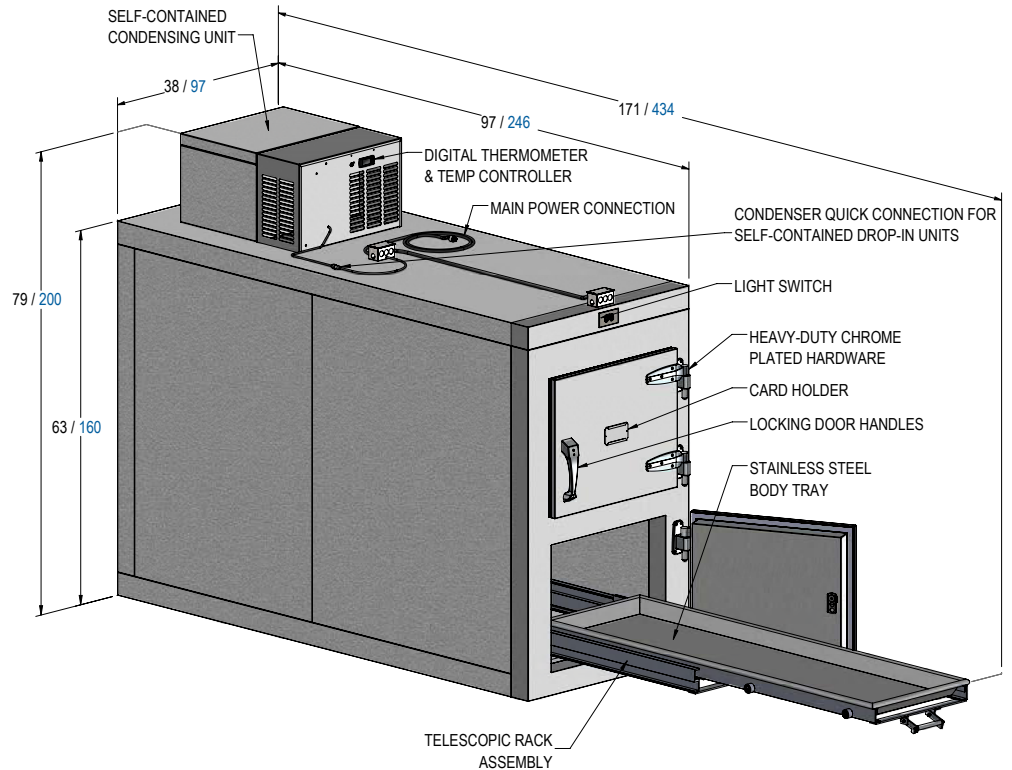
Electrical

- ~115V/60Hz/1Ph
- ~208-230V/50-60Hz/1Ph available Voltage (~208-230V may affect dimensions & features)

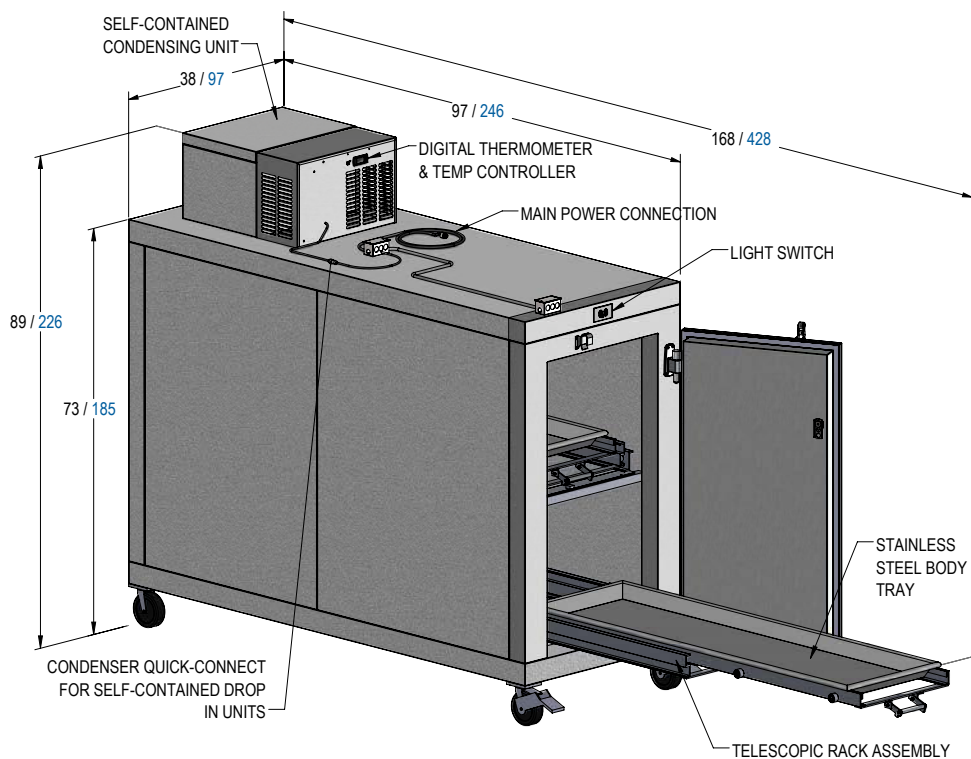
**Freezer model available:
Model 1036-F100 Freezer
operating temperature
0°F/-17.8°C**

OPTIONAL FEATURES

- Custom sizes for larger cases
- Casters: (4) 6 in./15 cm. diameter casters, two are swivel type with wheel brakes
- Full length interior roller racks
- HD plastic storage boards
- Remote systems offered



MODEL 1036-R100 TWO BODY REFRIGERATOR



MODEL 1036-R101 TWO BODY MOBILE REFRIGERATOR

STANDARD DESIGN FEATURES

Dimensions

Width: 38 in./97 cm.
 Depth: 97 in./246 cm.
 Height: 89 in./226 cm.

Door

Width: 27 in./69 cm.
 Height: 53 in./135 cm.

- Overlap door w/ magnetic gaskets

Installation

- Unit ships fully assembled, simply plug unit into an outlet and the unit is operational
- Casters: (4) 6 in./15 cm. diameter casters, two are swivel type with wheel brakes

Exterior of Box

- Front - .032 in. Type 304 stainless steel with a No. 4 finish
- Top, sides, and back - .040 in. stucco embossed aluminum

Interior of Box

- Walls & ceiling - .040 in. stucco embossed aluminum
- Floor .032 in. smooth aluminum with .75 in/2 cm. CDX plywood reinforced understructure

Insulation

- 4 in./10 cm. foamed in place urethane (UL listed, Class 1)

Rack System

- (2) Three piece telescoping carriage fabricated of aluminum extrusion with maintenance free nylon rollers

Hardware

- Heavy-duty chrome plated hardware for long lasting use

Removable tray

- (2) 18 gauge Type 304 stainless steel w/No. 4 finish

Lighting

- (1) Vapor proof light w/switch

Refrigeration

- Drop-in self-contained refrigeration system with digital thermometer and easy to adjust temperature controller

Operating temperature

- 38°F/3.3°C

Electrical

- ~115V/60Hz/1Ph
- ~208-230V/50-60Hz/1Ph available
Voltage (~208-230V may affect dimensions & features)

**Freezer model available:
 Model 1036-F101 Freezer
 operating temp. 0°F/-17.8°C**

OPTIONAL FEATURES

- Custom sizes for larger cases
- Full length interior roller racks
- HD plastic storage boards

REFRIGERATION SYSTEMS

STANDARD DESIGN FEATURES

Dimensions

- Width: 35 in./89 cm.
- Depth: 88 in./224 cm.
- Height: 81 in./206 cm. overall
+ 7.5 in./19 cm. w/ casters
(Casters Optional)

Door

- Width: 24 in./61 cm.
- Height: 52.75 in./134 cm.
- Overlap door w/ magnetic gasket

Installation

- Unit ships fully assembled, simply plug unit into an outlet and the unit is operational

Exterior of Box

- Embossed galvanized .016 steel construction

Interior of Box

- Walls & ceiling - .016 stucco embossed galvanized
- Floor .032 gauge smooth aluminum with .75 in./2 cm. CDX plywood reinforced understructure

Insulation

- 4 in./10 cm. foamed in place urethane (UL listed, Class 1)

Rack System

- Provided with (3) interior roller racks

Removable tray

- (3) HD plastic storage boards

Hardware

- Heavy-duty chrome plated hardware for long lasting use

Lighting

- (1) Vapor proof light w/switch

Refrigeration

- Drop-in self-contained refrigeration system with digital thermometer and easy to adjust temperature controller

Operating temperature

- 38°F/3.3°C

Electrical

- ~115V/60Hz/1Ph
- ~208-230V/50-60Hz/1Ph available
Voltage (~208-230V) may affect dimensions & features

**Freezer model available:
Model 1036-F114 Freezer
operating temp. 0°F/-17.8°C**

OPTIONAL FEATURES

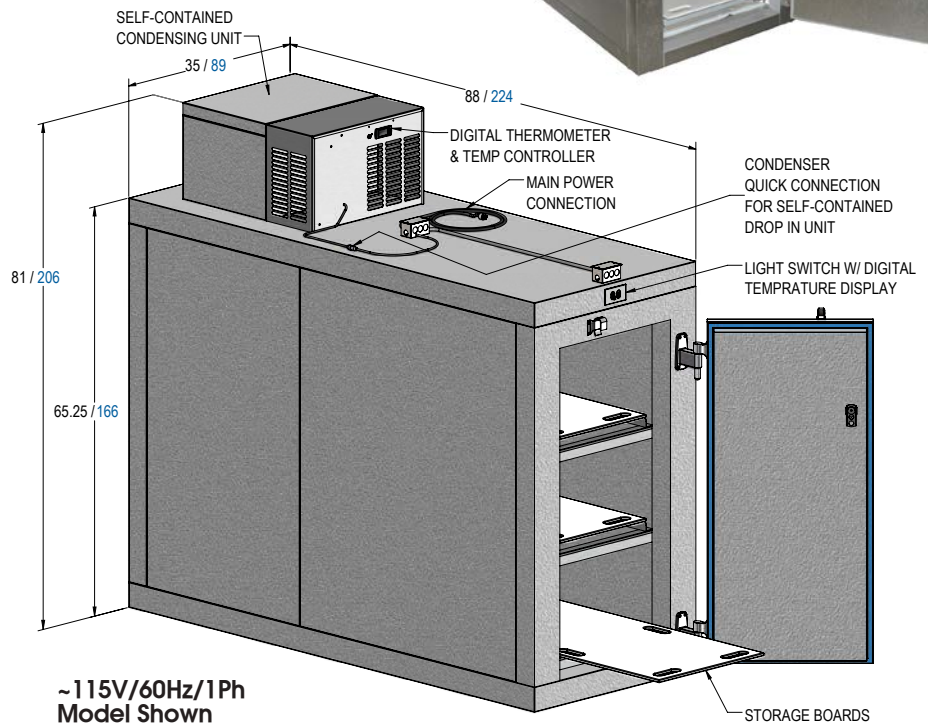
- Custom sizes for larger cases
- Stainless Steel Body Trays 18 gauge Type 304 stainless steel w/No. 4 finish
- Casters: (4) 6 in./15 cm. diameter casters, two are swivel type with wheel brakes



(Casters Optional)



Two Body Capacity Available



MODEL 1036-R114-24 THREE BODY REFRIGERATOR

REFRIGERATION SYSTEMS

STANDARD DESIGN FEATURES

Dimensions

Width:.....41 in./104 cm.
 Depth:.....88 in./225 cm.
 Height:.....81 in./206 cm. overall
 +7.5 in./19 cm. w/ casters
 (Casters Optional)

Door

Width:.....30 in./76 cm.
 Height:.....52.75 in./134 cm.

- Overlap mount door w/ gasket

Installation

- Unit ships fully assembled, simply plug unit into an outlet and the unit is operational

Exterior of Box

- Embossed galvanized .016 steel construction

Interior of Box

- Walls & ceiling - .016 stucco embossed galvanized
- Floor .032 gauge smooth aluminum with .75 in./2 cm. CDX plywood reinforced under-structure

Insulation

- 4 in./10 cm. foamed in place urethane (UL listed, Class 1)

Rack System

- Provided with (3) interior roller racks

Removable tray

- (3) HD plastic storage boards

Hardware

- Heavy-duty chrome plated hardware for long lasting use

Lighting

- (1) Vapor proof light w/ switch

Refrigeration

- Drop-in self-contained refrigeration system with digital thermometer and easy to adjust temperature controller

Operating temperature

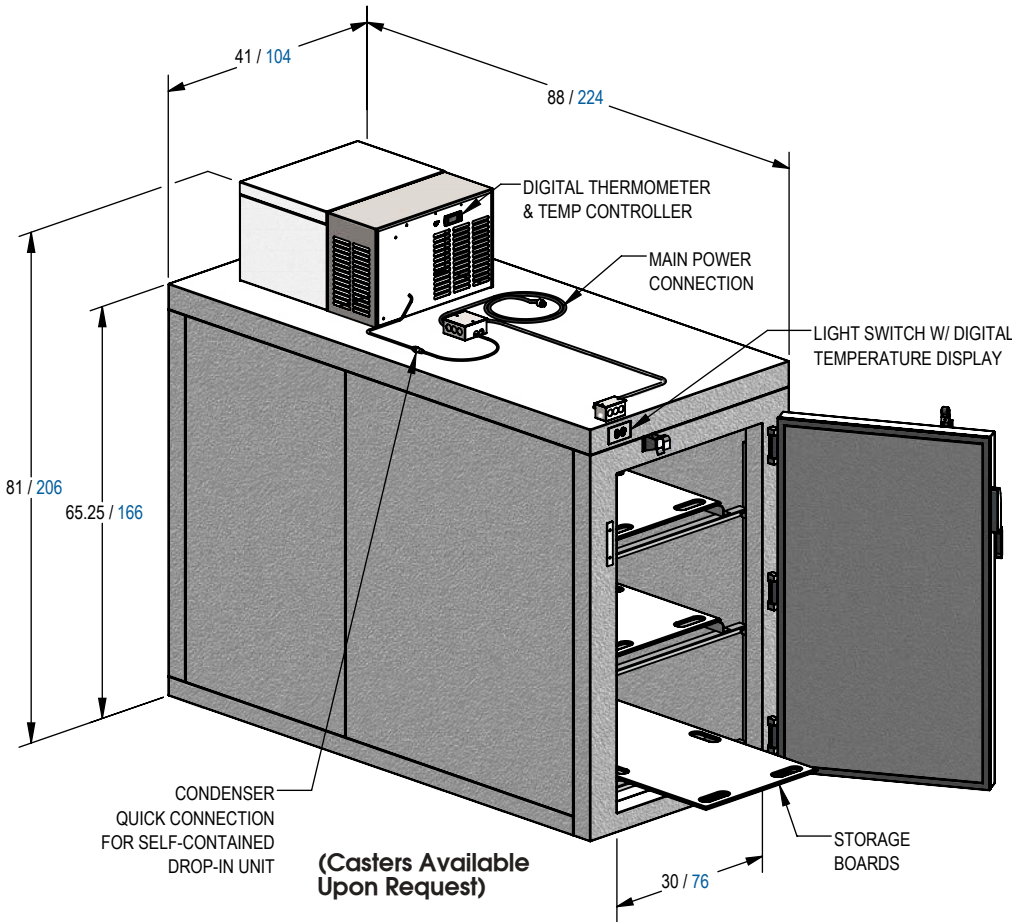
- 38°F/3.3°C

Electrical

- ~115V/60Hz/1Ph

OPTIONAL FEATURES

- Stainless Steel Body Trays 18 gauge Type 304 stainless steel w/ No. 4 finish
- Casters: (4) 6 in./15 cm. diameter casters, two are swivel type with wheel brakes
- TWO BODY CAPACITY AVAILABLE



Two Body Capacity Available (Casters Optional)

MODEL 1036-R114-30 THREE BODY REFRIGERATOR



REFRIGERATION SYSTEMS

STANDARD DESIGN FEATURES

Dimensions

Width: 35 in./89 cm.
Depth: 88 in./224 cm.
Height: 81 in./206 cm. overall

Door

Width: 24 in./61 cm.
Height: 54 in./137 cm.

- Overlap door w/ magnetic gasket

Installation

- Unit ships fully assembled, simply plug unit into an outlet and the unit is operational

Exterior of Box

- Embossed galvanized .016 steel construction

Interior of Box

- Walls & ceiling - .016 stucco embossed galvanized

Insulation

- 4 in./10 cm. foamed in place urethane (UL listed, Class 1)

Rack System

- Provided with (1) interior roller racks

Removable tray

- (1) HD plastic storage boards

Hardware

- Heavy-duty chrome plated hardware for long lasting use

Lighting

- (1) Vapor proof light w/switch

Refrigeration

- Drop-in self-contained refrigeration system with digital thermometer and easy to adjust temperature controller

Operating temperature

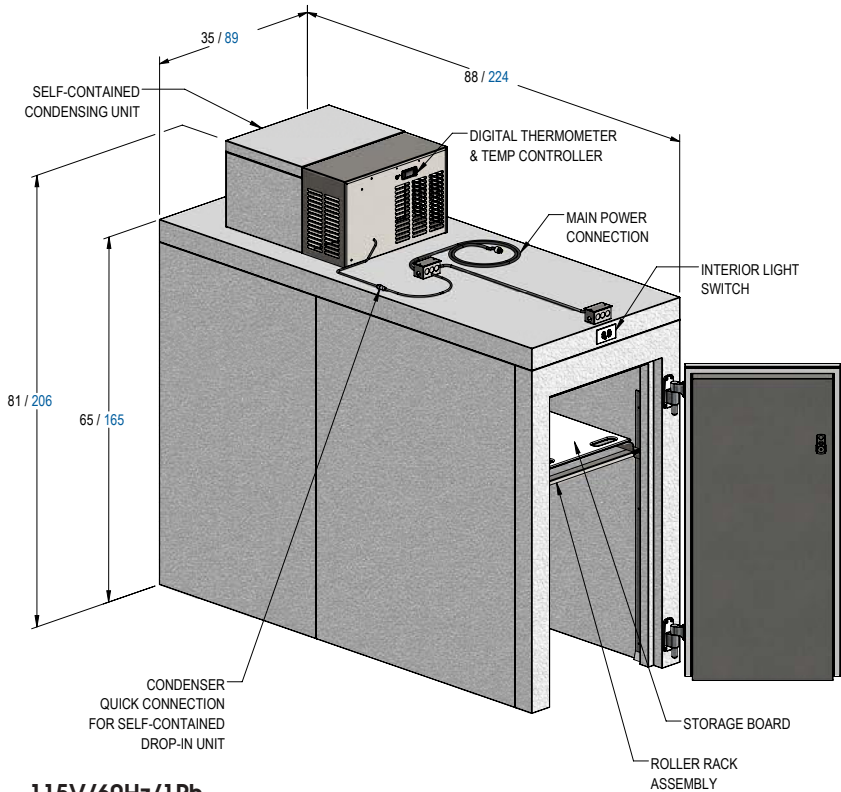
- 38°F/3.3°C

Electrical

- ~115V/60Hz/1Ph
- ~208-230V/50-60Hz/1Ph available
- Voltage (~208-230V) may affect dimensions & features

OPTIONAL FEATURES

- Custom sizes for larger cases
- Stainless Steel Body Trays 18 gauge Type 304 stainless steel w/No. 4 finish (Optional)
- Mortuary cot or carrier



~115V/60Hz/1Ph
Model Shown



MODEL 1036-R115 ROLL-IN TWO BODY REFRIGERATOR

SECTION 4-28 TO 4-30 HAS A FULL SELECTION OF FIRST CALL AND REMOVAL COTS TO CHOOSE FROM

STANDARD DESIGN FEATURES

Dimensions

Width: 47 in./119 cm.
 Depth: 97 in./246 cm.
 Height: 108 in./274 cm.

Doors (2)

Top

Width: 36 in./91 cm.
 Height: 22 in./56 cm.

Bottom

Width: 36 in./91 cm.
 Height: 50 in./127 cm.

- Overlap door with clear opening

Installation

- Unit ships knocked down and will require assembly

Exterior of Box

- Front - .032 in. Type 304 stainless steel with a No. 4 finish
- Top, sides, and back - .040 in. stucco embossed aluminum

Interior of Box

- Walls & ceiling - .040 in. stucco embossed aluminum
- Floor .032 in. smooth aluminum with .75 in/2 cm. CDX plywood reinforced understructure

Exterior Ramp

- Wood frame with galvanized wearing surface

Insulation

- 4 in./10 cm. foamed in place urethane (UL listed, Class 1)

Rack System

- (1) three piece telescopic fabricated of extruded aluminum with nylon rollers

Removable tray

- (1) 18 gauge Type 304 stainless steel w/No. 4 finish

Hardware

- Heavy-duty chrome plated hardware for long lasting use

Lighting

- (1) Vapor proof light w/switch

Refrigeration

- Drop-in self-contained refrigeration system with digital thermometer and easy to adjust temperature controller

Operating temperature

- 38°F/3.3°C

Electrical

- ~115V/60Hz/1Ph
- ~208-230V/50-60Hz/1Ph available
- Voltage (~208-230V) may affect dimensions & features

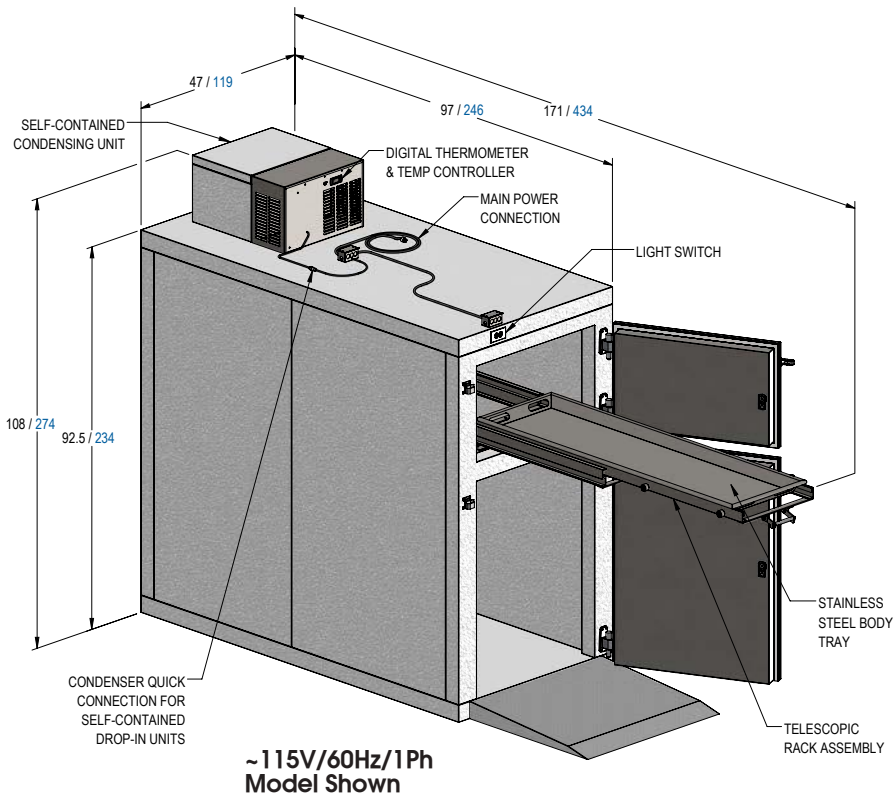
**Freezer model available:
 Model 1036-F103 Freezer
 operating temp. 0°F/-17.8°C**

OPTIONAL FEATURES

- Custom sizes for larger cases
- Two-Tier Carrier
- Single-Tier Carrier
- Full length interior roller racks
- HD plastic storage boards



**MODEL 7020-26
 TWO TIER STORAGE
 CARRIER (Optional)**



**MODEL 1036-R103
 TWO OR THREE BODY REFRIGERATOR**

REFRIGERATION SYSTEMS

STANDARD DESIGN FEATURES

Dimensions

Width:..... 38 in./97 cm.
Depth:..... 97 in./246 cm.
Height:..... 106 in./269 cm.

Doors (3)

Width:..... 27 in./69 cm.
Height:..... 22 in./56 cm.

- Overlap door w/ magnetic gasket

Installation

- Unit ships knocked down and will require assembly

Exterior of Box

- Front - .032 Type 304 stainless steel with a No. 4 finish
- Top, sides, and back - .040 in. stucco embossed aluminum

Interior of Box

- Walls & ceiling - .040 in. stucco embossed aluminum
- Floor .032 in. smooth aluminum with .75 in/2 cm. CDX plywood reinforced understructure

Insulation

- 4 in./10 cm. foamed in place urethane (UL listed, Class 1)

Rack System

- (3) three piece telescopic fabricated of extruded aluminum with nylon rollers

Removable tray

- (3) 18 gauge Type 304 stainless steel w/No. 4 finish

Hardware

- Heavy-duty chrome plated hardware for long lasting use

Lighting

- (1) Vapor proof light w/switch

Refrigeration

- Drop-in self-contained refrigeration system with digital thermometer and easy to adjust temperature controller

Operating temperature

- 38°F/3.3°C

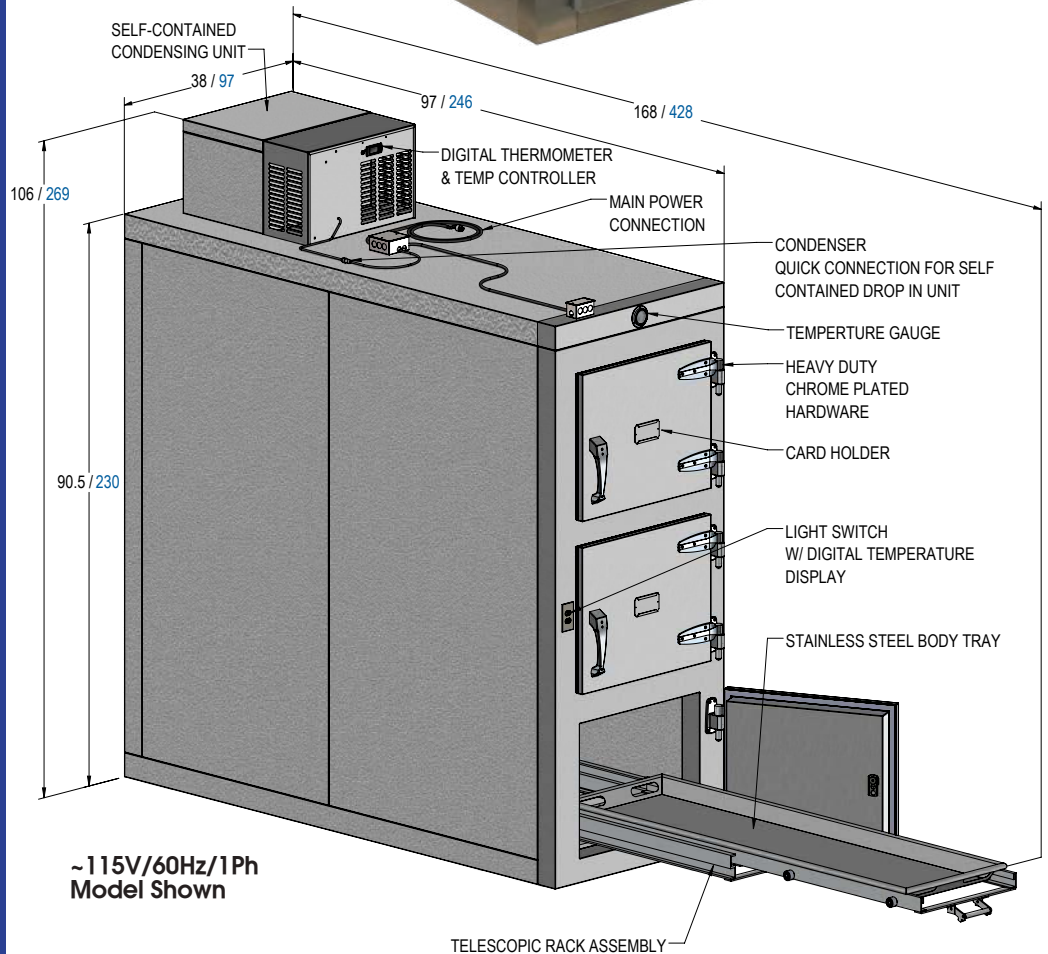
Electrical

- ~115V/60Hz/1Ph
- ~208-230V/50-60Hz/1Ph available
Voltage (~208-230V) may affect dimensions & features

**Freezer model available:
Model 1036-F104 Freezer
operating temperature
0°F/-17.8°C**

OPTIONAL FEATURES

- Custom sizes for larger cases
- Full length interior roller racks
- HD plastic storage boards



MODEL 1036-R104 THREE BODY REFRIGERATOR

411 North Aerojet
Avenue Azusa, CA 91702
www.mortechmfg.com

(626) 334-1471



STANDARD DESIGN FEATURES

Dimensions

- Width:.....97 in./246 cm.
- Depth:.....40 in./102 cm.
- Height:.....92 in./234 cm.

Doors (2)

- Width:.....84 in./213 cm.
- Height:.....22 in./56 cm.

- Overlap door w/ magnetic gasket

Installation

- Unit ships fully assembled, simply plug unit into an outlet and the unit is operational

Exterior of Box

- Front - .032 in. Type 304 stainless steel with a No. 4 finish
- Top, sides, and back - .040 in. stucco embossed aluminum

Interior of Box

- Walls & ceiling - .040 in. stucco embossed aluminum
- Floor .032 in. smooth aluminum with .75 in/2 cm. CDX plywood reinforced understructure

Insulation

- 4 in./10 cm. foamed in place urethane (UL listed, Class 1)

Rack System

- (2) Smooth and quiet rack slide rails using special Delrin rollers

Removable tray

- (2) 18 gauge Type 304 stainless steel w/No. 4 finish

Hardware

- Heavy-duty chrome plated hardware for long lasting use

Lighting

- (1) Vapor proof light w/switch

Refrigeration

- Drop-in self-contained refrigeration system with digital thermometer and easy to adjust temperature controller

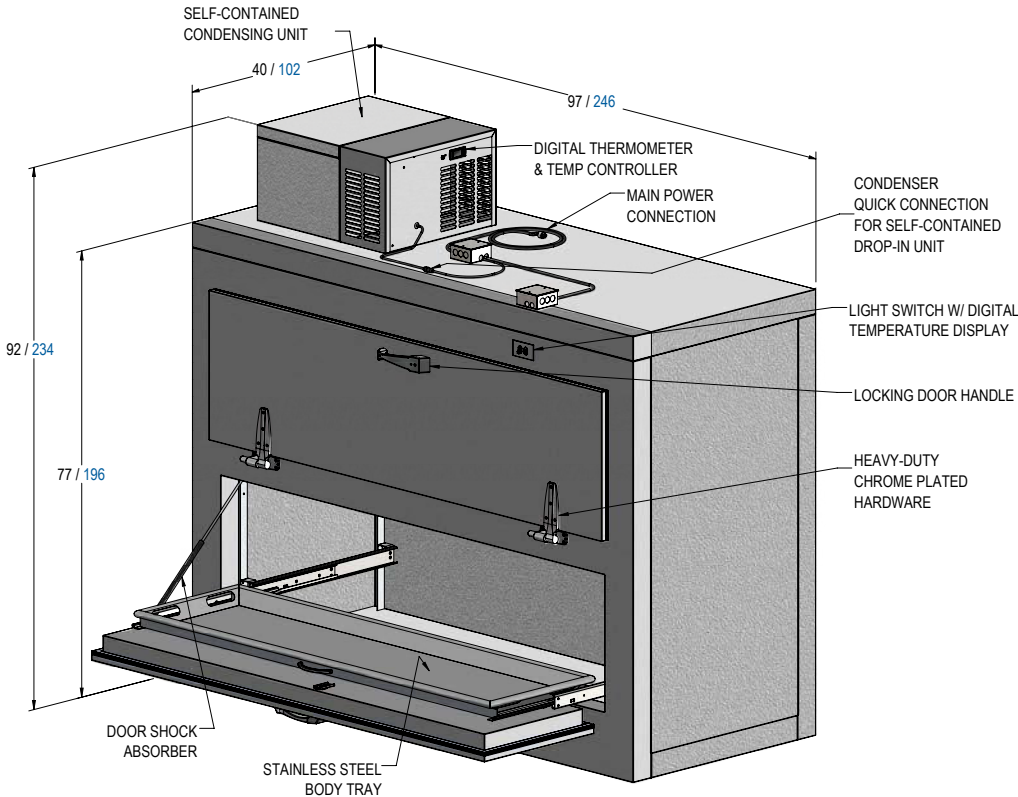
Operating temperature

- 38°F/3.3°C

Electrical

- ~115V/60Hz/1Ph
- ~208-230V/50-60Hz/1Ph available
- Voltage (~208-230V) may affect dimensions & features

**Freezer model available:
Model 1036-F116 Freezer
operating temp. 0°F/-17.8°C**



~115V/60Hz/1Ph
Model Shown

**MODEL 1036-R116
TWO BODY SIDE ACTING REFRIGERATOR**

411 North Aerojet Avenue
Azusa, CA 91702
www.mortechmfg.com

(626) 334-1471

STANDARD DESIGN FEATURES

Dimensions

Width: 97 in./246 cm.
 Depth: 40 in./102 cm.
 Height: 125 in./318 cm.

Doors (3)

Width: 84 in./213 cm.
 Height: 22 in./56 cm.

- Overlap door w/ magnetic gasket

Installation

- Unit ships knocked down and will require assembly

Exterior of Box

- Front - .032 in. Type 304 stainless steel with a No. 4 finish
- Top, sides, and back - .040 in. stucco embossed aluminum

Interior of Box

- Walls & ceiling - .040 in. stucco embossed aluminum
- Floor .032 in. smooth aluminum with .75 in./2 cm. CDX plywood reinforced understructure

Insulation

- 4 in./10 cm. foamed in place urethane (UL listed, Class 1)

Rack System

- (3) Smooth and quiet rack slide rails using special Delrin rollers

Removable tray

- (3) 18 gauge Type 304 stainless steel w/No. 4 finish

Hardware

- Heavy-duty chrome plated hardware for long lasting use

Lighting

- (1) Vapor proof light w/switch

Refrigeration

- Drop-in self-contained refrigeration system with digital thermometer and easy to adjust temperature controller

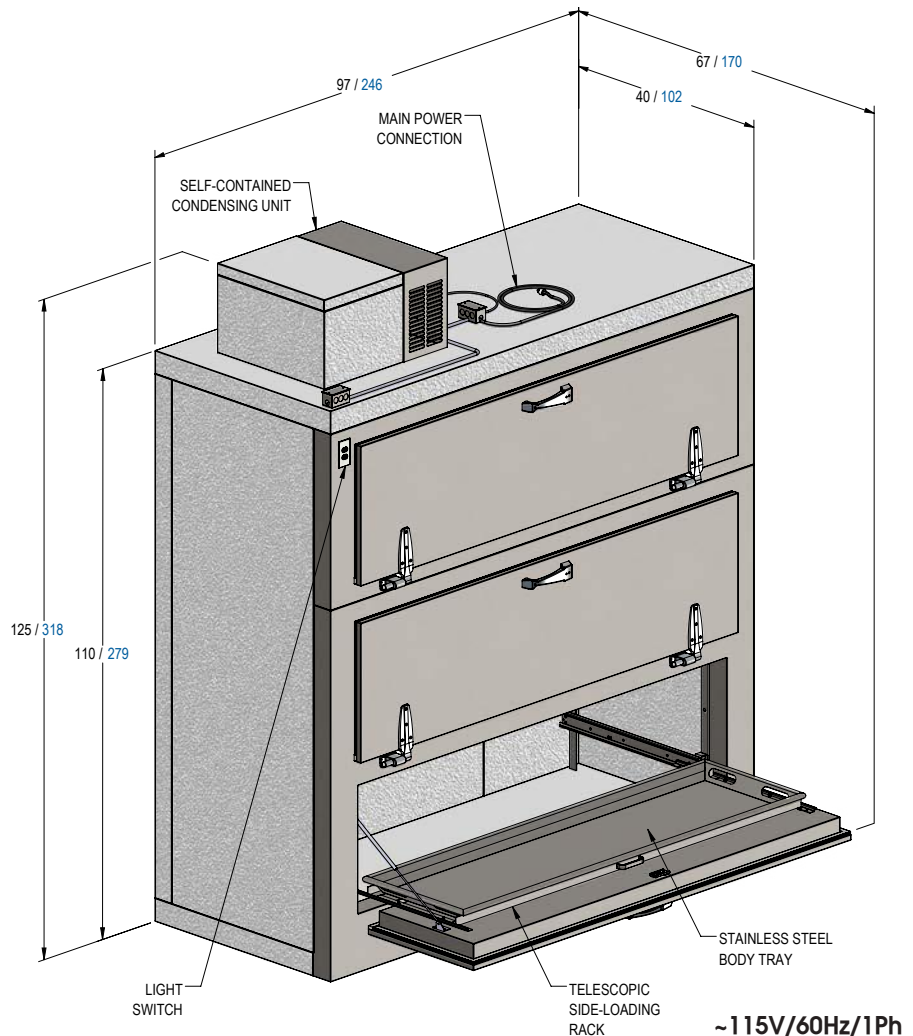
Operating temperature

- 38°F/3.3°C

Electrical

- ~115V/60Hz/1Ph
- ~208-230V/50-60Hz/1Ph available
- Voltage (~208-230V) may affect dimensions & features

**Freezer model available:
 Model 1036-F105 Freezer
 operating temperature
 0°F/-17.8°C**



~115V/60Hz/1Ph
 Model Shown

MODEL 1036-R105 THREE BODY SIDE ACTING REFRIGERATOR

STANDARD DESIGN FEATURES

Dimensions

Width: 77 in./196 cm.
 Depth: 97 in./246 cm.
 Height: 83 in./201 cm.

Doors (4)

Width: 27 in./69 cm.
 Height: 22 in./56 cm.

- Overlap door w/ magnetic gasket

Installation

- Unit ships knocked down and will require assembly

Exterior of Box

- Front - .032 in. Type 304 stainless steel with a No. 4 finish
- Top, sides, and back - .040 in. stucco embossed aluminum

Interior of Box

- Walls & ceiling - .040 in. stucco embossed aluminum
- Floor .032 in. smooth aluminum with .75 in/2 cm. CDX plywood reinforced understructure

Insulation

- 4 in./10 cm. foamed in place urethane (UL listed, Class 1)

Rack System

- (4) three piece telescopic fabricated of extruded aluminum with nylon rollers

Removable tray

- (4) 18 gauge Type 304 stainless steel w/No. 4 finish

Hardware

- Heavy-duty chrome plated hardware for long lasting use

Lighting

- (1) Vapor proof light w/switch

Refrigeration

- Drop-in self-contained refrigeration system with digital thermometer and easy to adjust temperature controller

Operating temperature

- 38°F/3.3°C

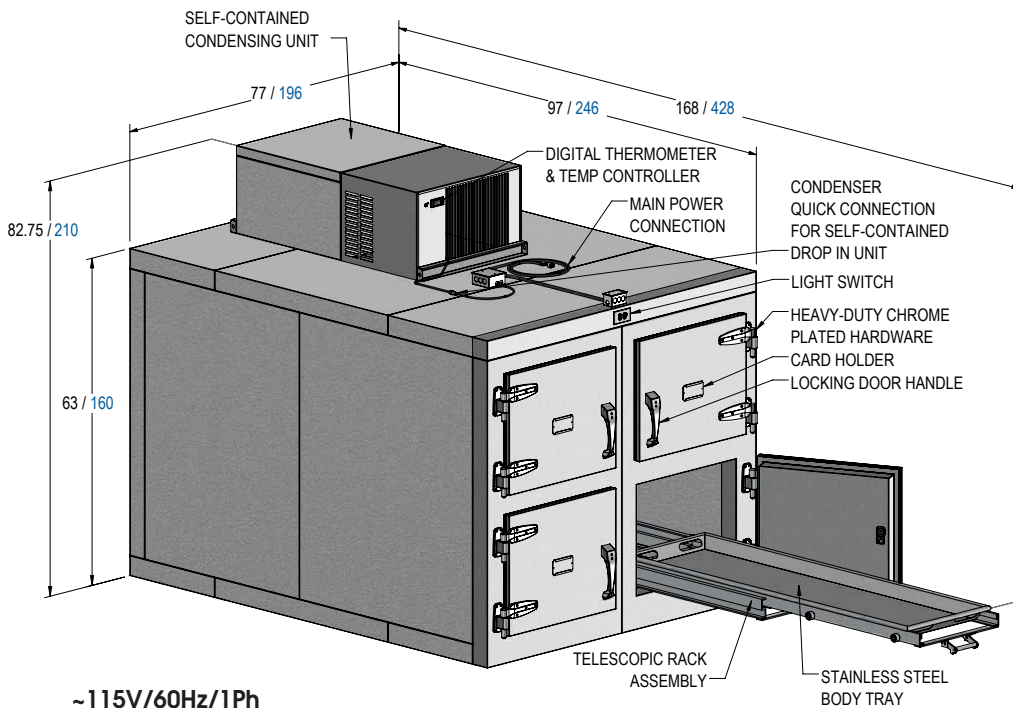
Electrical

- ~115V/60Hz/1Ph
- ~208-230V/50-60Hz/1Ph available
Voltage (~208-230V) may affect dimensions & features

**Freezer model available:
 Model 1036-F106 Freezer
 operating temp. 0°F/-17.8°C**

OPTIONAL FEATURES

- Custom sizes for larger cases
- Full length interior roller racks
- HD plastic storage boards



~115V/60Hz/1Ph
 Model Shown

MODEL 1036-R106 FOUR BODY REFRIGERATOR

STANDARD DESIGN FEATURES

Dimensions

Width:.....95 in./241 cm.
 Depth:.....97 in./246 cm.
 Height:.....79 in./201 cm.

Doors (2)

Width:.....36 in./92 cm.
 Height:.....50 in./127 cm.

- Overlap door w/ magnetic gasket

Installation

- Unit ships knocked down and will require assembly

Exterior of Box

- Front - .032 in. Type 304 stainless steel with a No. 4 finish
- Top, sides, and back - .040 in. stucco embossed aluminum

Interior of Box

- Walls & ceiling - .040 in. stucco embossed aluminum
- Floor .032 in. smooth aluminum with .75 in/2 cm. CDX plywood reinforced understructure

Exterior Ramp

- Wood frame with galvanized wearing surface

Insulation

- 4 in./10 cm. foamed in place urethane (UL listed, Class 1)

Lighting

- (1) Vapor proof light w/switch

Refrigeration

- Drop-in self-contained refrigeration system with digital thermometer and easy to adjust temperature controller

Operating temperature

- 38°F/3.3°C

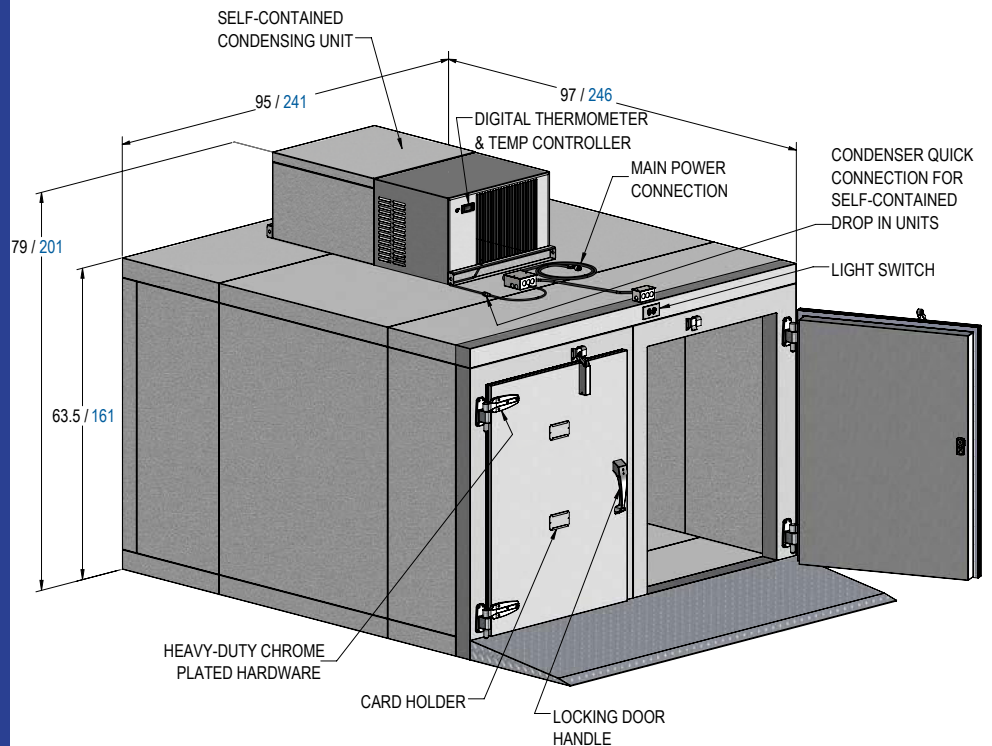
Electrical

- ~115V/60Hz/1Ph
- ~208-230V/50-60Hz/1Ph available
 Voltage (~208-230V) may affect dimensions & features

**Freezer model available:
 Model 1036-F105 Freezer
 operating temperature
 0°F/-17.8°C**

OPTIONAL FEATURES

- Custom sizes for larger cases
- Two-Tier Carrier
- Single-Tier Carrier



~115V/60Hz/1Ph Model Shown

MODEL 1036-R107 TWO OR FOUR BODY REFRIGERATOR

STANDARD DESIGN FEATURES

Dimensions

Width:..... 114.25 in./290 cm.
 Depth:..... 97 in./246 cm.
 Height:..... 80.5 in./205 cm.

Doors (6)

Width:..... 27 in./69 cm.
 Height:..... 22 in./56 cm.

- Overlap door w/ magnetic gasket

Installation

- Unit ships knocked down and will require assembly

Exterior of Box

- Front - .032 in. Type 304 stainless steel with a No. 4 finish
- Top, sides, and back - .040 in. stucco embossed aluminum

Interior of Box

- Walls & ceiling - .040 in. stucco embossed aluminum
- Floor .032 in. smooth aluminum with .75 in/2 cm. CDX plywood reinforced understructure

Insulation

- 4 in./10 cm. foamed in place urethane (UL listed, Class 1)

Rack System

- (6) three piece telescopic fabricated of extruded aluminum with nylon rollers

Removable tray

- (6) 18 gauge Type 304 stainless steel w/No. 4 finish

Hardware

- Heavy-duty chrome plated hardware for long lasting use

Lighting

- (1) Vapor proof light w/switch

Refrigeration

- Drop-in self-contained refrigeration system with digital thermometer and easy to adjust temperature controller

Operating temperature

- 38°F/3.3°C

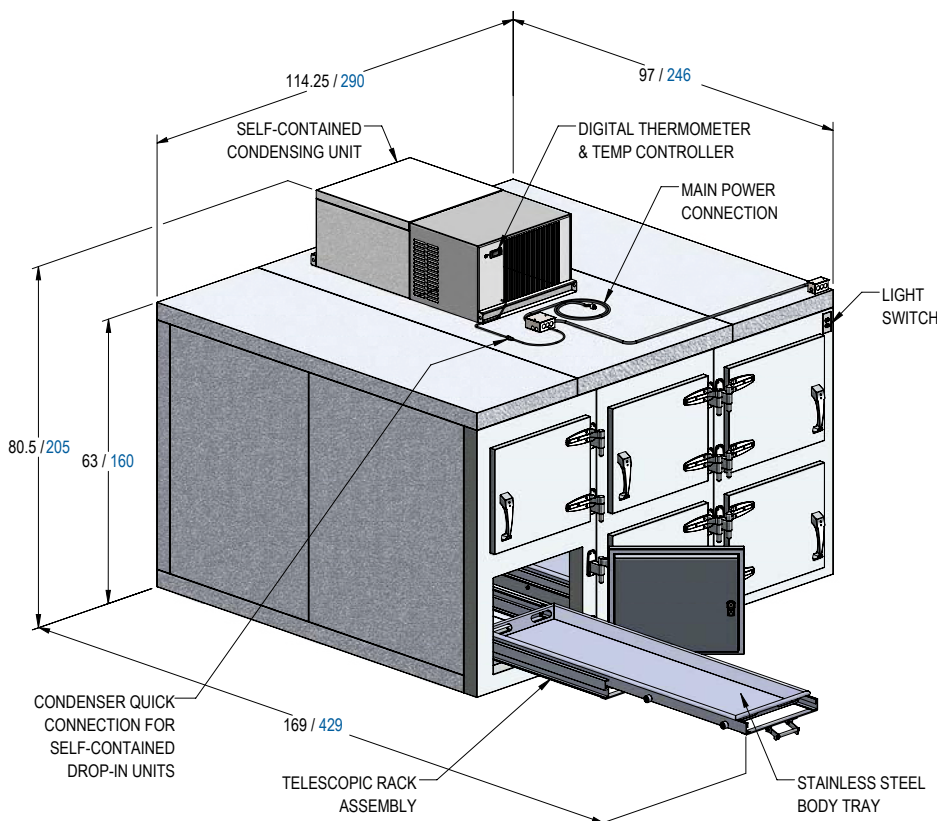
Electrical

- ~208-230V/50-60Hz/1Ph

**Freezer model available:
 Model 1036-F108 Freezer
 operating temp. 0°F/-17.8°C**

OPTIONAL FEATURES

- Custom sizes for larger cases
- Full length interior roller racks
- HD plastic storage boards



~115V/60Hz/1Ph Model Shown

MODEL 1036-R108 SIX BODY REFRIGERATOR

STANDARD DESIGN FEATURES

Dimensions

Width:.....76.125 in./193 cm.
 Depth:.....97 in./246 cm.
 Height:.....90.5 in./230 cm.

Doors (6)

Width:.....27 in./69 cm.
 Height:.....22 in./56 cm.

- Overlap door w/ magnetic gasket

Installation

- Unit ships knocked down and will require assembly

Exterior of Box

- Front - .032 in. Type 304 stainless steel with a No. 4 finish
- Top, sides, and back - .040 in. stucco embossed aluminum

Interior of Box

- Walls & ceiling - .040 in. stucco embossed aluminum
- Floor .032 in. smooth aluminum with .75 in/2 cm. CDX plywood reinforced understructure

Insulation

- 4 in./10 cm. foamed in place urethane (UL listed, Class 1)

Rack System

- (6) three piece telescopic fabricated of extruded aluminum with nylon rollers

Removable tray

- (6) 18 gauge Type 304 stainless steel w/No. 4 finish

Hardware

- Heavy-duty chrome plated hardware for long lasting use

Lighting

- (1) Vapor proof light w/switch

Refrigeration

- Drop-in self-contained refrigeration system with digital thermometer and easy to adjust temperature controller

Operating temperature

- 38°F/3.3°C

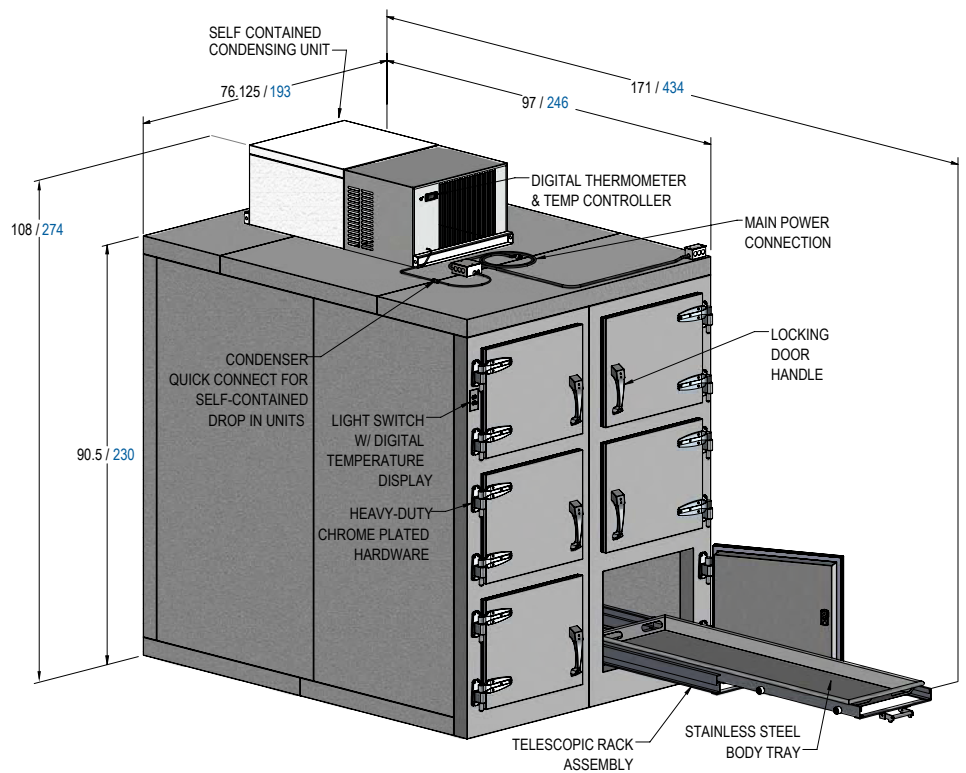
Electrical

- ~208-230V/50-60Hz/1Ph available

**Freezer model available:
 Model 1036-F109 Freezer
 operating temperature
 0°F/-17.8°C**

OPTIONAL FEATURES

- Custom sizes for larger cases
- Full length interior roller racks
- HD plastic storage boards



~208-230V/50-60Hz/1Ph Model Shown



MODEL 1036-R109 SIX BODY REFRIGERATOR

(626) 334-1471

STANDARD DESIGN FEATURES

Dimensions

Width:..... 94.125 in./239 cm.
 Depth:..... 97 in./246 cm.
 Height:..... 110 in./280 cm.

Doors (4)

Top

Width:..... 36 in./91 cm.
 Height:..... 22 in./55 cm.

Bottom

Width:..... 36 in./91 cm.
 Height:..... 50 in./127 cm.

- Overlap door w/ magnetic gasket

Installation

- Unit ships knocked down and will require assembly

Exterior of Box

- Front - .032 in. Type 304 stainless steel with a No. 4 finish
- Top, sides, and back - .040 in. stucco embossed aluminum

Interior of Box

- Walls & ceiling - .040 in. stucco embossed aluminum
- Floor .032 in. smooth aluminum with .75 in/2 cm. CDX plywood reinforced understructure

Exterior Ramp

- Wood frame with galvanized wearing surface

Insulation

- 4 in./10 cm. foamed in place urethane (UL listed, Class 1)

Rack System

- (2) three piece telescopic fabricated of extruded aluminum with nylon rollers

Removable tray

- (2) 18 gauge Type 304 stainless steel w/No. 4 finish

Hardware

- Heavy-duty chrome plated hardware for long lasting use

Lighting

- (1) Vapor proof light w/switch

Refrigeration

- Drop-in self-contained refrigeration system with digital thermometer and easy to adjust temperature controller

Operating temperature

- 38°F/3.3°C

Electrical

- ~208-230V/50-60Hz/1Ph

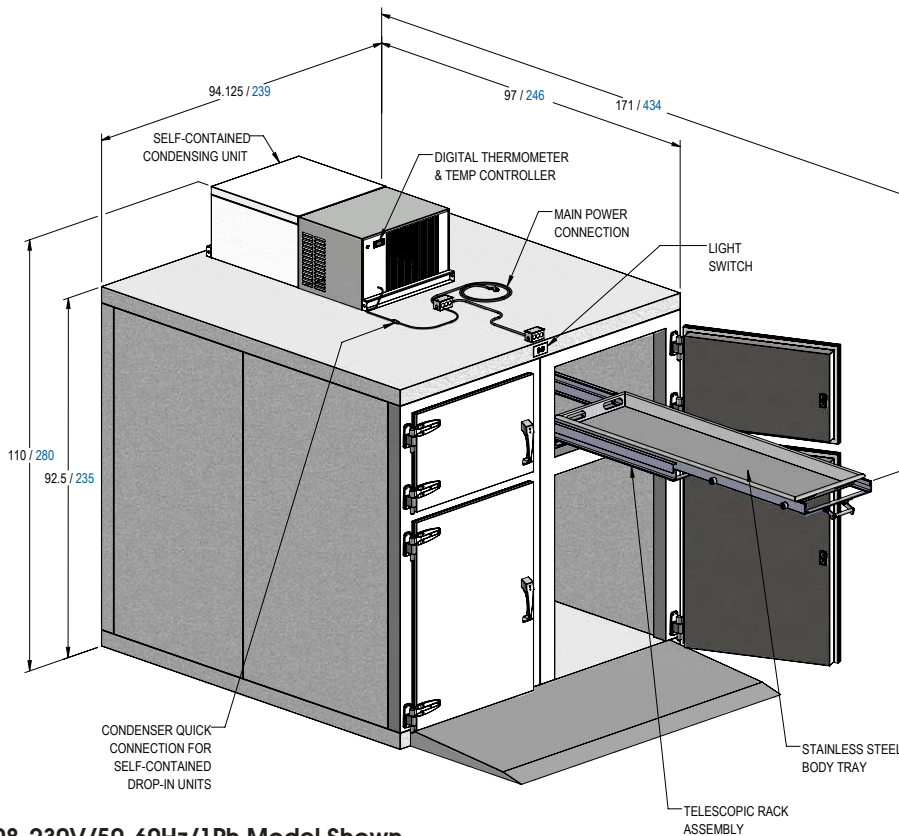
**Freezer model available:
 Model 1036-F110 Freezer
 operating temperature
 0°F/-17.8°C**

OPTIONAL FEATURES

- Custom sizes for larger cases
- Two-Tier Carrier
- Single-Tier Carrier
- HD plastic storage boards
- Full length interior roller racks



**MODEL 7020-26
 TWO TIER STORAGE
 CARRIER (Optional)**



~208-230V/50-60Hz/1Ph Model Shown

MODEL 1036-R110 FOUR OR SIX BODY REFRIGERATOR

STANDARD DESIGN FEATURES

Dimensions

Width: 153 in./389 cm.
 Depth: 97 in./246 cm.
 Height: 80.5 in./205 cm.

Doors (8)

Width: 27 in./69 cm.
 Height: 22 in./56 cm.

- Overlap door w/ magnetic gasket

Installation

- Unit ships knocked down and will require assembly

Exterior of Box

- Front - .032 in. Type 304 stainless steel with a No. 4 finish
- Top, sides, and back - .040 in. stucco embossed aluminum

Interior of Box

- Walls & ceiling - .040 in. stucco embossed aluminum
- Floor .032 in. smooth aluminum with .75 in/2 cm. CDX plywood reinforced understructure

Insulation

- 4 in./10 cm. foamed in place urethane (UL listed, Class 1)

Rack System

- (8) three piece telescopic fabricated of extruded aluminum with nylon rollers

Removable tray

- (8) 18 gauge Type 304 stainless steel w/No. 4 finish

Hardware

- Heavy-duty chrome plated hardware for long lasting use

Lighting

- (1) Vapor proof light w/switch

Refrigeration

- Drop-in self-contained refrigeration system with digital thermometer and easy to adjust temperature controller

Operating temperature

- 38°F/3.3°C

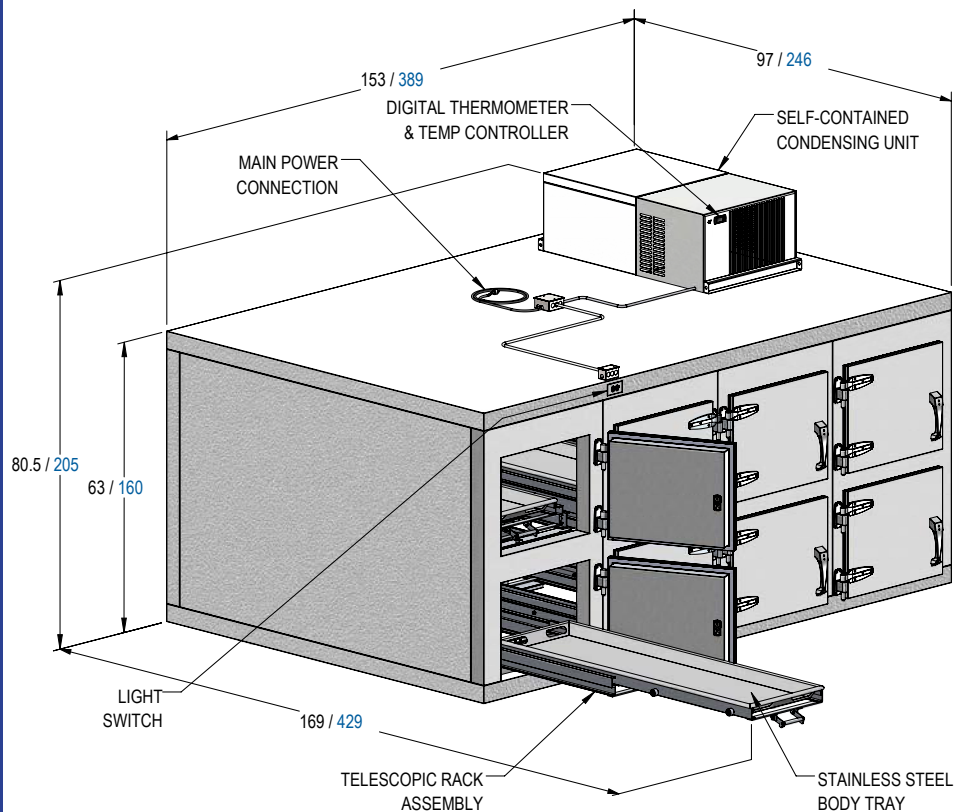
Electrical

- ~208-230V/50-60Hz/1Ph

**Freezer model available:
 Model 1036-F111 Freezer
 operating temp. 0°F/-17.8°C**

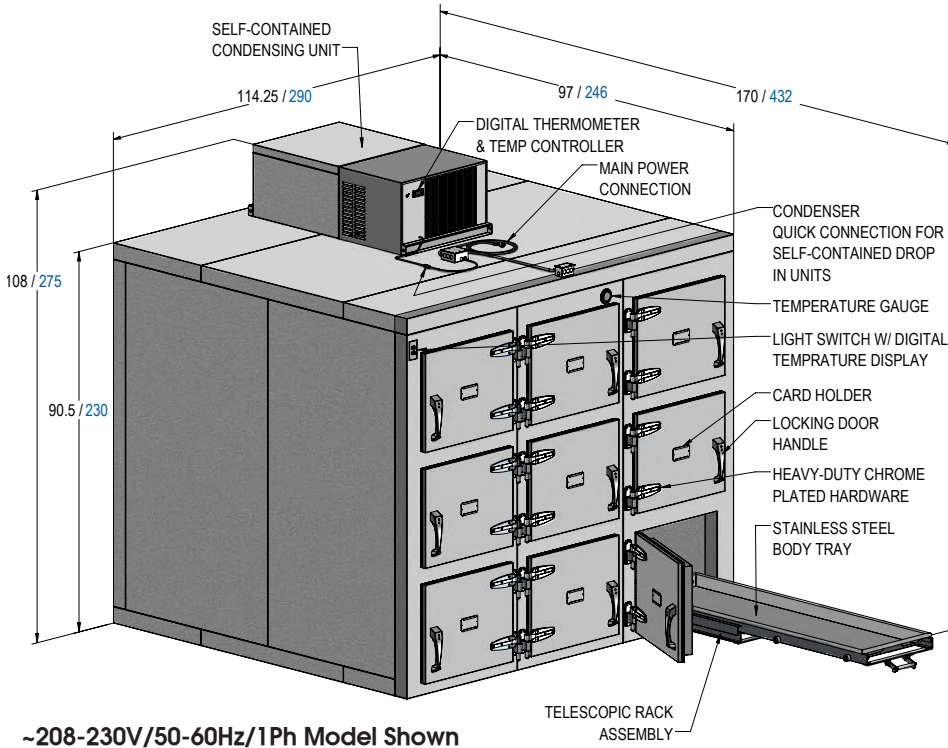
OPTIONAL FEATURES

- Custom sizes for larger cases
- Full length interior roller racks
- HD plastic storage boards



~208-230V/50-60Hz/1Ph Model Shown

MODEL 1036-R111 EIGHT BODY REFRIGERATOR



MODEL 1036-R112 NINE BODY REFRIGERATOR

STANDARD DESIGN FEATURES

Dimensions

Width: 114.25 in./290 cm.
 Depth: 97 in./246 cm.
 Height: 108 in./275 cm.

Doors (9)

Width: 27 in./69 cm.
 Height: 22 in./56 cm.

- Overlap door w/ magnetic gasket

Installation

- Unit ships knocked down and will require assembly

Exterior of Box

- Front - .032 in. Type 304 stainless steel with a No. 4 finish
- Top, sides, and back - .040 in. stucco embossed aluminum

Interior of Box

- Walls & ceiling - .040 in. stucco embossed aluminum
- Floor .032 in. smooth aluminum with .75 in/2 cm. CDX plywood reinforced understructure

Insulation

- 4 in./10 cm. foamed in place urethane (UL listed, Class 1)

Rack System

- (9) three piece telescopic fabricated of extruded aluminum with nylon rollers

Removable tray

- (9) 18 gauge Type 304 stainless steel w/No. 4 finish

Hardware

- Heavy-duty chrome plated hardware for long lasting use

Lighting

- (1) Vapor proof light w/switch

Refrigeration

- Drop-in self-contained refrigeration system with digital thermometer and easy to adjust temperature controller

Operating temperature

- 38°F/3.3°C

Electrical

- ~208-230V/50-60Hz/1Ph

**Freezer model available:
 Model 1036-F112 Freezer
 operating temperature
 0°F/-17.8°C**

OPTIONAL FEATURES

- Custom sizes for larger cases
- Full length interior roller racks
- HD plastic storage boards

STANDARD DESIGN FEATURES

Dimensions

Width: 190.5 in./484 cm.
 Depth: 97 in./246 cm.
 Height: 80.5 in./205 cm.

Doors (10)

Width: 27 in./69 cm.
 Height: 22 in./56 cm.
 Overlap door w/ magnetic gasket

Installation

- Unit ships knocked down and will require assembly

Exterior of Box

- Front - .032 in. Type 304 stainless steel with a No. 4 finish
- Top, sides, and back - .040 in. stucco embossed aluminum

Interior of Box

- Walls & ceiling - .040 in. stucco embossed aluminum
- Floor .032 in. smooth aluminum with .75 in/2 cm. CDX plywood reinforced understructure

Insulation

- 4 in./10 cm. foamed in place urethane (UL listed, Class 1)

Rack System

- (10) three piece telescopic fabricated of extruded aluminum with nylon rollers

Removable tray

- (10) 18 gauge Type 304 stainless steel w/No. 4 finish

Hardware

- Heavy-duty chrome plated hardware for long lasting use

Lighting

- (1) Vapor proof light w/switch

Refrigeration

- Drop-in self-contained refrigeration system with digital thermometer and easy to adjust temperature controller

Operating temperature

- 38°F/3.3°C

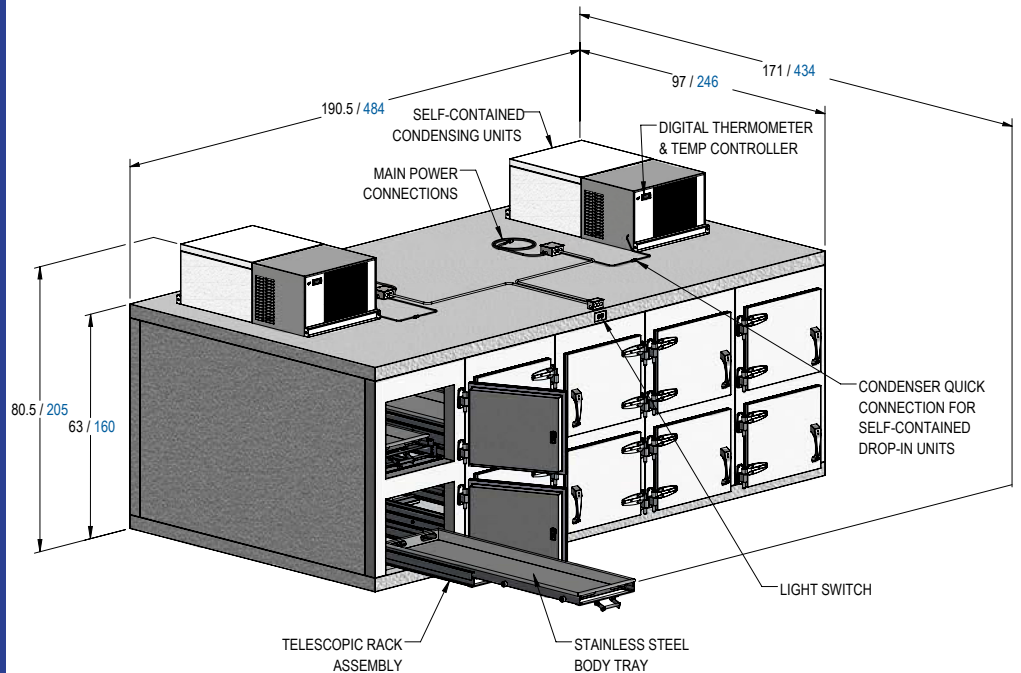
Electrical

- (2)~115V/60Hz/1Ph
- (2)~208-230V/50-60Hz/1Ph available
 Voltage (~208-230V) may affect dimensions & features

**Freezer model available:
 Model 1036-F113 Freezer
 operating temp. 0°F/-17.8°C**

OPTIONAL FEATURES

- Custom sizes for larger cases
- Full length interior roller racks
- HD plastic storage boards



~115V/60Hz/1Ph Model Shown

MODEL 1036-R113 TEN BODY REFRIGERATOR

REFRIGERATION SYSTEMS

STANDARD DESIGN FEATURES

Dimensions

Width: 141.25 in./359 cm.
 Depth: 97 in./246 cm.
 Height: 110 in./280 cm.

Doors (6)

Top

Width: 36 in./91 cm.
 Height: 22 in./56 cm.

Bottom

Width: 36 in./91 cm.
 Height: 50 in./127 cm.

- Flush mount door w/magnetic gasket

Installation

- Unit ships knocked down and will require assembly
- **Ramp:** Wood frame with galvanized wearing surface

Exterior of Box

- Front - .032 in. Type 304 stainless steel with a No. 4 finish
- Top, sides, and back - .040 in. stucco embossed aluminum

Interior of Box

- Walls & ceiling - .040 in. stucco embossed aluminum
- Floor .032 in. smooth aluminum with .75 in/2 cm. CDX plywood reinforced understructure

Exterior Ramp

- Wood frame with galvanized wearing surface

Insulation

- 4 in./10 cm. foamed in place urethane (UL listed, Class 1)

Rack System

- (3) three piece telescopic fabricated of extruded aluminum with nylon rollers

Removable tray

- (3) 18 gauge Type 304 stainless steel w/No. 4 finish

Hardware

- Heavy-duty chrome plated hardware for long lasting use

Lighting

- (1) Vapor proof light w/switch

Refrigeration

- Drop-in self-contained refrigeration system with digital thermometer and easy to adjust temperature controller

Operating temperature

- 38°F/3.3°C

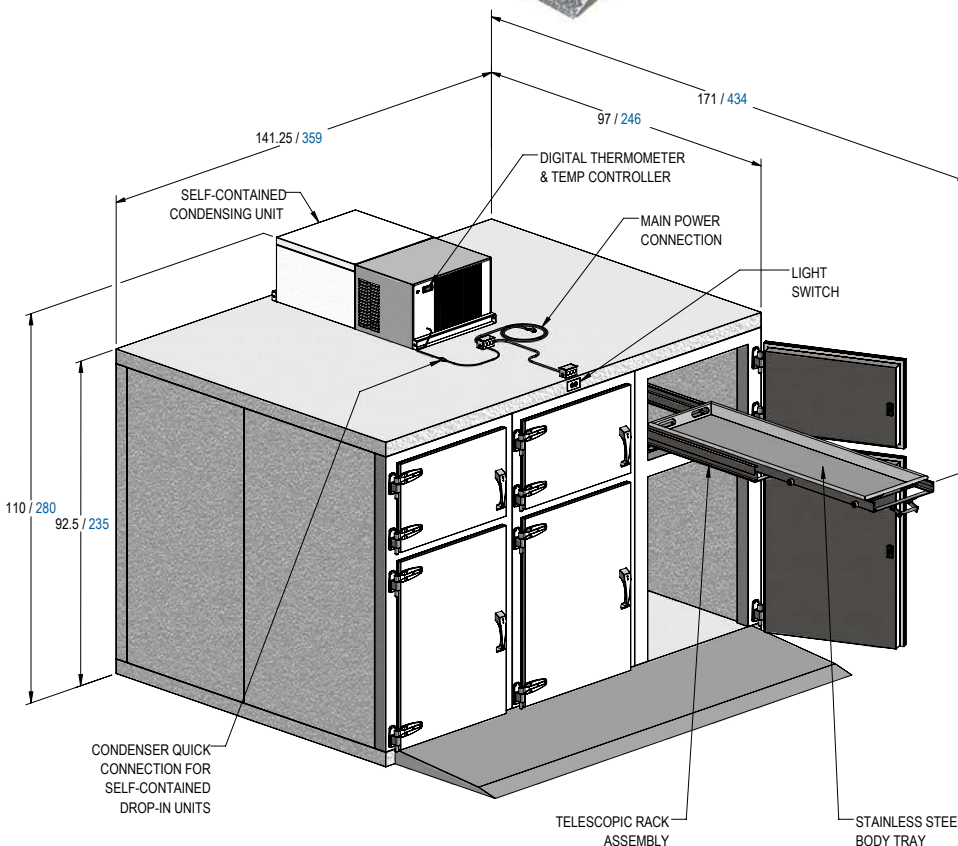
Electrical

- ~208-230V/50-60Hz/1Ph

**Freezer model available:
 Model 1036-F102 Freezer
 operating temperature
 0°F/-17.8°C**

OPTIONAL FEATURES

- Custom sizes for larger cases
- Two-Tier Carrier
- Single-Tier Carrier
- Full length interior roller racks
- HD plastic storage boards



MODEL 1036-R102 SIX OR NINE BODY REFRIGERATOR

STANDARD DESIGN FEATURES

Dimensions

Width: 153 in./389 cm.
 Depth: 97 in./246 cm.
 Height: 109.5 in./278 cm.

Doors (12)

Width: 27 in./69 cm.
 Height: 22 in./56 cm.

- Overlap door w/ magnetic gasket

Installation

- Unit ships knocked down and will require assembly

Exterior of Box

- Front - .032 in. Type 304 stainless steel with a No. 4 finish
- Top, sides, and back - .040 in. stucco embossed aluminum

Interior of Box

- Walls & ceiling - .040 in. stucco embossed aluminum
- Floor .032 in. smooth aluminum with .75 in/2 cm. CDX plywood reinforced understructure

Insulation

- 4 in./10 cm. foamed in place urethane (UL listed, Class 1)

Rack System

- (12) three piece telescopic fabricated of extruded aluminum with nylon rollers

Removable tray

- (12) 18 gauge Type 304 stainless steel w/No. 4 finish

Lighting

- (1) Vapor proof light w/switch

Refrigeration

- Drop-in self-contained refrigeration system with digital thermometer and easy to adjust temperature controller

Operating temperature

- 38°F/3.3°C

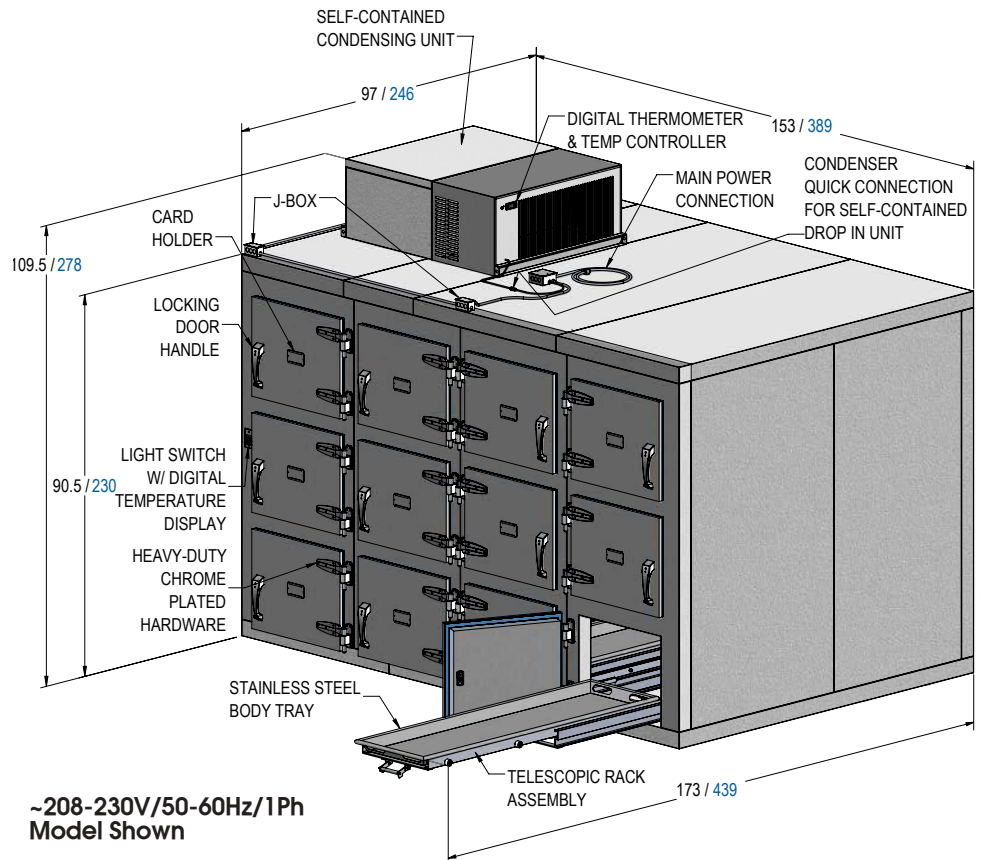
Electrical

- ~208-230V/50-60Hz, 1Ph

**Freezer model available:
 Model 1036-F119 Freezer
 operating temperature
 0°F/-17.8°C**

OPTIONAL FEATURES

- Custom sizes for larger cases
- Full length interior roller racks
- HD plastic storage boards



MODEL 1036-R119 TWELVE BODY REFRIGERATOR

STANDARD DESIGN FEATURES

Dimensions

Width: 190.5 in./484 cm.
 Depth: 97 in./246 cm.
 Height: 108 in./275 cm.

Doors (15)

Width: 27 in./69 cm.
 Height: 22 in./56 cm.

- Overlap door w/ magnetic gasket

Installation

- Unit ships knocked down and will require assembly

Exterior of Box

- Front - .032 in. Type 304 stainless steel with a No. 4 finish
- Top, sides, and back - .040 in. stucco embossed aluminum

Interior of Box

- Walls & ceiling - .040 in. stucco embossed aluminum
- Floor .032 in. smooth aluminum with .75 in/2 cm. CDX plywood reinforced understructure

Insulation

- 4 in./10 cm. foamed in place urethane (UL listed, Class 1)

Rack System

- (15) three piece telescopic fabricated of extruded aluminum with nylon rollers

Removable tray

- (15) 18 gauge Type 304 stainless steel w/No. 4 finish

Hardware

- Heavy-duty chrome plated hardware for long lasting use

Lighting

- (1) Vapor proof light w/switch

Refrigeration

- Drop-in self-contained refrigeration system with digital thermometer and easy to adjust temperature controller

Operating temperature

- 38°F/3.3°C

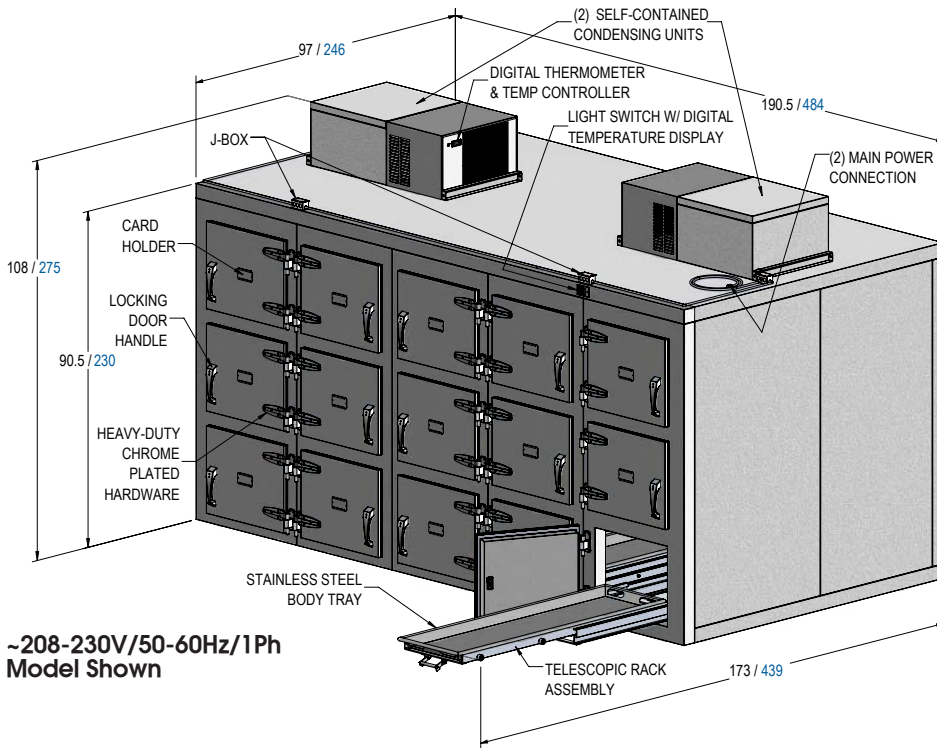
Electrical

- (2)~208-230V/50-60Hz/1Ph

**Freezer model available:
 Model 1036-F121 Freezer
 operating temp. 0°F/-17.8°C**

OPTIONAL FEATURES

- Custom sizes for larger cases
- Full length interior roller racks
- HD plastic storage boards



1036-R121



MODEL 1036-R121 FIFTEEN BODY REFRIGERATOR

BARIATRICS CAPACITY MORTUARY REFRIGERATORS

Max out storage capacity to accommodate larger individuals. Designed specifically for oversized cases.

Refrigeration systems are equipped with an extra wide bay door along with telescopic or rack assemblies depending on your specific needs.

These mortuary refrigerators are made to fit carriers like our 600009 bariatric chassis. They can be made in all the different configurations as seen in this section.

Combine these bariatric options with one of our cadaver lift systems to ensure safe and efficient movement of decedents.



M678-ES & 1036- R112 W/ 36" WIDE FORMAT BAY DOORS



FULLY CUSTOMIZED...

With coolers made to order, we recognize no two facilities are alike. Pass Through units and Wide Format Bay Doors alike, a customized configuration just might be what you need to fit the needs of your unique facility.



REFRIGERATION SYSTEMS

PASS THROUGH UNITS

Utilize two rooms with one refrigeration system with our Pass Through Units.

This efficient and convenient refrigeration system effectively saves both time and space by utilizing two rooms that share a wall. Built with two front ends this refrigeration system can add productivity to the workflow of any facility. Be in two places at once!

Call your sales rep and ask how.



MADE TO ORDER...

You may not have found the particular unit or format you need in the previous pages. Don't let that deter you from making the right decision. We can customize any unit to fit the needs of your facility and staff.

There is no room too big or too small that we can't retrofit with our state-of-the-art coolers. We provide the service that will meet and surpass any expectations you might have. Ask your sales representative today.

1036-R116 SHOWN
WITH M678 HYDRAULIC
CADAVER LIFT & M604-H STRAP
TRAY LIFT ASSEMBLY



Telescopic Rack Mechanism, Side Load



Telescopic Rack Mechanism, End Load

Telescopic Rack Mechanism

Our telescoping mechanism supports the storage tray as the assembly is pulled out of the refrigerator doorway. The rack can extend up to 3/4 of its length and still support the tray. This allows access to lift the case from the storage tray with a cadaver lift.

The mechanism is custom fabricated from aluminum extrusion. All wall thickness is minimum 3/16 in. It is a three piece assembly with stops placed to insure balance while extending out the rack. Nylon rollers with oilite bronze bushings allow for a smooth rolling carriage.

The side load (1036-R105 & 1036-R116) extend fully for access with cadaver lift. For use with Model T3626 Stainless Steel Body Tray only.

The end load (1036-R100, 1036-R101, 1036-R102, 1036-R103, 1036-R104, 1036-R106, 1036-R108, 1036-R108, 1036-R110, 1036-R111, 1036-R112 & 1036-R113) for access with cadaver lift. For use with Model T3626 Stainless Steel Body Tray only.

RACK STYLES FOR MORTUARY REFRIGERATORS

RACK STYLES FOR MORTUARY REFRIGERATORS



Roller Rack Mechanism

Our rolling mechanism does not support the storage tray as the assembly is pulled out of the refrigerator doorway. It is designed as a more economical rack mechanism and is the optimum choice for cadaver lifts fitted with a roller pallet assembly.

The mechanism is fabricated from heavy-duty aluminum angle and flat stock. Five galvanized steel rollers are mounted in each bay and allow for smooth rolling of the cadaver tray.

For use with our Model T3627 HD Plastic Storage Board with Hand Slots or Model T3626 Stainless Steel Body Tray.

RACK STYLES FOR MORTUARY REFRIGERATORS

MORTUARY WALK-IN COOLERS & FREEZERS



WALK-IN COOLERS & FREEZERS

Walk-in Mortuary Coolers and Freezers provide the best solution for most cadaver storage needs. They can be custom sized to your available space and can be fitted with various types of cadaver racks to suit the smallest to largest of facilities.

Units can be fabricated with a variety of metal finishes, door types, alarm systems, refrigeration controls and dehumidifier systems.

Provide us with your available space, cadaver storage requirements and budget. We will provide a solution which meets your criteria.

GENERAL

Walk-in scientific coolers and freezers shall be designed with prefabricated modular, precision formed, metal clad insulated panels to facilitate easy assembly and disassembly for relocation and expansion.

PREFABRICATED MODULAR PANEL CONSTRUCTION

All panel sections, to ensure permanent uniformity, will be precisely shaped with metal pans processed through a state-of-the-art, fully automated, leveling, cut-to-length and forming lines and roll-forming equipment with steel dies. Metal pans will be fastened to tongue-and-groove high-density foam rails (8.5 lb/cu ft density minimum) with lever acting, eccentric hooked cam-locks and mating pins securely anchored to assure alignment and provide a positive seal. Insulation will be UL Listed, Class 1, non-CFC polyurethane, foamed-in-place to adhere to the inner and outer metal pans when confined within temperature controlled fixtures and molds.

Walk-in panels to be constructed of 4" or 5" thick prefabricated panels. Panels shall be modular in design for quick field assembly and future modification flexibility. Cooler ceiling panels shall be designed to span 22 ft. without the use of structural support or hangers. NSF gasket shall be secured to perimeter panel edges to insure seams and

joints are air tight and vapor proof. Corner panels will be constructed with an NSF approved radius on the interior pan. Partition, or T-panels, will be of the same construction with radius on interior pans.

PANEL LOCKING DEVICES

Steel cam-action locking devices shall be precisely positioned and firmly anchored in each panel, not to exceed 48" on center. All locks will have integral rear flanges to permanently anchor their position without the use of metal strapping. Cam-locks will be placed at exact matching locations on the tongue-and-groove side to insure compression of the perimeter gasket in a uniform manner.

The cam-action locking devices shall consist of lever acting, eccentric hooked cam-locks in the tongue edge and mating pins securely anchored in the groove side to assure alignment and provide a positive seal. All cam-locks shall be accessible from the interior by means of a hex wrench furnish with the cooler or freezer. Access ports for cam locks will be covered with snap-in cap plugs.

INSULATION

Insulation shall be polyurethane foamed-in-place. Polyurethane shall be injected in place to a minimum density of 2.2 pounds per cubic foot resulting in a compression strength of 29 PSI, K-Factor of .12, and R-value 8.49 per inch. Non CFC blowing agent shall be used as an expanding agent in the manufacturing process.

Polyurethane foam shall be listed under UL Certification Foamed Plastic and examined for ignition characteristics in accordance with ASTM D 1929-91. Finished foam plastic at 6" max thickness formed from Isocyanate component and resin component at a nominal density of 2.30 pcf.

METALS AND FINISHES

Interior and exterior finish will be selected from the following metal options. A combination of metal finishes can be selected to satisfy cosmetic and economic design requirements.

Walls & ceilings: Standard metal finish is 26-gauge stucco embossed galvanized steel interior/exterior. Minimum acceptable steel thickness is 0.019" with G-90 galvanized coating. Optional metal finishes include 26-Ga. white painted smooth or stucco embossed galvanized steel, .032 stucco-embossed aluminum, 040 stucco embossed aluminum, .040 smooth aluminum painted white, and 20-Ga & 22-Ga. stainless steel Type 304, #4 finish.

Floors: Standard metal finish is .040 textured aluminum. Optional metal finishes include .040 smooth aluminum, .100 aluminum diamond tread plate, and 22-Ga stainless steel, Type 304, 2B finish.

Matching NSF approved metal cove base shall be provided as necessary.

FLOOR CONSTRUCTION

Insulated floor panels, when required, shall be 4" thick and constructed with metal bonded to exterior grade plywood and then foamed-in-place. All insulated pre-fabricated floors shall be true NSF Certified with integral radius ledge and cam-up cam-locks to wall panels. Floors shall be designed and manufactured to support uniformly distributed loads up to 700 pounds per square foot.

Insulated sub-floor may be substituted for floor panels. Provide minimum 4" thick Styrofoam board insulation consisting of two 2" x 24" x 96" medium density board, 25 lb per sq ft minimum, alternating layer direction. Sub-floor details, if required, to be furnished with quotation submittal.



DOORS

Doors shall be infitting flush or overlap design. Standard door size is 36" x 80". Oversize and custom door sizes are also available. The door edge shall consist of a PVC perimeter into which the interior and exterior metal skins are secured and shall create a thermal break between metal facings. The PVC frame includes a PVC bulb type compression gasket with magnetic steel core to maintain an airtight seal and to allow quick replacement as needed. Freezer doors have concealed heated jamb in stainless steel and galvanized steel channel and threshold heater, easily accessible for replacement or service. Heated pressure relief vent port shall be provided and shall be of an adequate size for easy door opening and closing. An NSF approved digital thermometer shall be flush mounted in the door frame. Acceptable alternate is a light switch with 2" dial thermometer with visible safety range, NSF Certified. All electrical parts must be UL Listed or UL Recognized Components.

The door hinges shall be heavy-duty cam lift design in bright chrome finish. Hinges have steel pins with nylon bushings and shall be of sufficient size and number to support twice the weight of the door. The lockable (cylinder) door latch shall be made of similar materials and finish as the door hinges. The latch shall incorporate an inside safety release that complies with OSHA standards. Doors shall be self-closing without assistance when opened up to 90 degrees and shall remain open when opened more than 90 degrees. The bottom of the door shall have a flexible dual sweep.

Each door shall be factory mounted in a vinyl extruded door frame to prevent thermal conduction. Polyurethane foamed-in-place insulation of this frame will be the same as described for all panels.

Hydraulic door closer shall be provided to close door noiselessly and insure a positive door seal.

Two-way heated pressure/vacuum relief vent port will be provided on all low temperature applications. The vent port will be factory installed in the door frame header and pre-wired at the factory. Vent ports are made of corrosion-proof material with screening to prevent vermin and insect transit. If required, non-heated vent ports can be provided for medium temperature rooms.

LIGHTING

Single-pole light switch rated 15 amp @ 120VAC (3-way & 4-way switches to be provided with multiple entry doors) with pilot light shall be factory installed and will be flush mounted on each exterior door frame. A compact fluorescent vapor-proof light fixture will be provided for each door section for field mounting on the interior door header section foamed-in-place J-box. Room shall have a sufficient number of vapor-proof compact fluorescent light fixtures or 48" low-temp fluorescent fixtures with T-5 light bulbs (bulbs included), shipped loose, for field installation; light fixture quantity will be based on specifications approved by the customer. Each light fixture shall include a shatterproof cover. All wiring within the door section, heater, switch, and light fixture, is factory installed in conduit and terminates at a junction box in the header above the door or through the ceiling panel as required. If conduit terminates through ceiling panel, coring of ceiling panel to be performed in field to insure proper location. Field connection by others is required for complete operation 120 volt, 60 cycle, 1-phase. All components are to be UL Listed or UL Recognized Components.

CEILING PANEL SUPPORT SYSTEM

Hanger Bracket Support: Hanger bracket supports can be provided on indoor rooms exceeding 20'-0". The ceiling panel weight will be supported from existing building structure. Threaded rods and beam clamps are also available. Note: building design/structural by others.

C-Channel Support: Exterior C-Channel support system can be provided. The ceiling panel weight will be suspended by hanger brackets from steel exterior C-Channel. C-Channel rests on steel angles which distribute the weight of the ceiling panels to the walls of the insulated room.

Interior Steel Support: Insulated rooms installed outdoors or inside building which do not allow for ceiling suspension can be provided with interior steel support assemblies. Steel assembly will be complete and include all posts, beams and joists, and hardware. Standard finish is one coat primer.

WALK-IN MORTUARY COOLERS & FREEZERS

ACCESSORIES & OPTIONAL EQUIPMENT

Doors: Hinged, sliding doors, single slide and bi-parting, manual and electric, insulated doors are available.

Door Closer: Rack and pinion type door closer with hold open feature.

Kickplates: Aluminum diamond tread (min .080) or stainless steel kickplates, if required, are to be 36" high x width of door, interior and exterior of each entry door.

View Window: Standard sizes are 14" x 14" and 14" x 24" triple pane glass; non-heated for coolers and with heated frame and heated glass for freezers.

Vinyl Strip Curtain: Vinyl strip curtains can be provided for each walk-in door to maximize operating efficiency by reducing air infiltration. Vinyl strips overlap a minimum 2" with adjacent strips and door jamb.

Air Curtain: Factory assembled black or white powdered coating, or stainless steel casing; complete with tangential fan wheel, uniform velocity across the entire length of the discharge area and micro-switch.

Temperature Alarm: Audible/visual, high/low temperature alarm & monitor with power failure alarm (weekend battery backup with built in recharging circuitry); digital temperature display.

- Lead-lag controller (optional for redundant systems only)
- Field Adjustable High and Low Alarm Temperature Set-points
- Field Selectable High / Low Temperature Alarm Display in °F or °C.
- Field Adjustable Time Delay
- Audible Visual and Remote Alarm Notification (dry contact outputs)
- Built-In Power Supply
- Surface or Flush Mount available
- Probes: 14-25 foot leads included
- Flush mounted for indoor use; face mounted with weather-proof enclosure for outdoor use
- Illuminated personnel panic button available
- Datahub software with automatic telephone dialer (note: requires integration & programming with telecom system)

Custom Control Panels:

Panels can range from relay logic controls to PLC/HMI touch screens controls with or without a chart recorder.

Enclosure Panel: Metal of material matching the exposed walk-in exterior is available to close off space between the box top and the ceiling with or without track; maximum 24" high without support.

Ramp: Interior or exterior ramp is available for walk-ins with insulated floor for roll-in traffic.

Screed Wall: Metal clad foamed-in-place screeds are available in custom heights to be used in floorless applications. Foam screeds will have a groove top configuration and pins to accept bottom corner and wall tongue cam-locks.

Wire Partition: If required, a wire partition shall be provided, location per drawing. Wire mesh will be diamond patterned, 10-ga woven wire in frame for additional strength. Includes locking swing door (door swings out) or sliding door as required. Accessories include corner post, line post, wall mounting kit, as needed. Color is dark gray.

Condensate Pan: If a floor sink or drain to sanitary sewer is not available, a UL Listed or UL Recognized Component condensate evaporator pan of adequate capacity is available.

Outdoor Roof Membrane: Custom prefabricated reinforced thermoplastic membrane, leak-proof, resistant to chemicals, fire and high winds; used with or without sloped foam insert. Square footage exceeding 2,500 square foot area requires heat welding. Roof membrane will overhang room by approximately 6" all around and flashed to the walls with rigid vinyl strips.

Note: Roof membrane must be installed by factory authorized contractor.

Occupancy Sensor: Low temperature (as low as -40 degrees °F) occupancy sensor in gasketed watertight enclosure, passive infrared sensor; dual-element temperature compensated pyroelectric sensor; includes power pack, swivel mount bracket, digital time delay settings of 15 sec, 5 min, or 10 min, 4 sensitivity settings.

Chart Recorder: 7-Day temperature chart recorder with K-thermocouple probe and digital display. User selectable recording times and temperature ranges. Included accessories; AC adapter, red pen, four AA batteries, quick start guide, 4" bead-wire probe and 6 ft. power cord. Comes with (100) 8" charts. Note: For field mounting.

REFRIGERATION

Remote Refrigeration System: Provide a national brand of indoor & outdoor self-contained or outdoor remote condensing units. Outdoor condensing units include weatherized cabinets; redundant refrigeration systems may be required (see also specifications for temperature alarm). Each room is calculated for BTUH load and the refrigeration system is selected based on cooling requirements and system capacity.

Condensing units will be new and UL Listed pre-assembled, including factory mounted discharge service valve, encapsulated auto-reset high/low-pressure controls, defrost timer, crankcase heater, and liquid line drier/sight glass assembly, and shall operate using R-404A and R-407C refrigerants. Matching evaporator coils come separate from condensing units and will be UL Listed and NSF Certified, pre-wired and with factory installed thermal expansion valve (TXV), thermostat, solenoid valve, and EC motors.

Notes: Dual pressure switch recommended for high ambient temperatures. In low ambient locations where temperatures fall below -10 degrees °F, provide a low ambient kit with heated and insulated receiver, suction accumulator, and 12" snow legs. If line runs exceed 100 ft, an oil separator may be required.



Packaged Refrigeration System:

System combines both condensing unit and evaporator coil onto one unit that field installs in a factory cut opening in ceiling panel(s). System mounts flush in 4" ceiling panel and does not require a condensate drain line (indoor top mount systems only). Systems are fully assembled, evacuated, charged, run-tested, and wired at the factory. Controls are pre-set at the factory for +35 degrees °F for coolers and -10 degrees °F for freezers.

Redundant Refrigeration Systems:

Systems to be provided according to remote refrigeration system guidelines. Each walk-in room will have two complete refrigeration systems capable of handling the total BTUH load requirements and will operate independently of each other. Rooms are equipped with switch-over controls to operate each system equally for 3.5 days each week. An alarm is provided to alert personnel of system failures and will automatically start the other system to maintain temperature of the room.

Hot Gas By Pass System:

Continuous running system providing the ability to control temperature in the room environment to a plus or +/- .05 °C. Available upon request.

Hot Gas or Electric Defrost System:

Designed for temperatures below 33 °F. Available upon request.

Dehumidification System:

Design to control humidity in environmental control rooms. Available upon request.

DELIVERY and INSTALLATION

Delivery will be made to job sites by factory truck or common carrier with installation instructions provided.

When installation is included, complete installation will be provided by experienced factory personnel or approved contractor.

WARRANTY

Ten (10) year warranty on walls and ceiling panels. Refrigeration condensing units come with factory one (1) year compressor warranty (no labor). An optional four (4) year extended compressor exchange warranty is available.

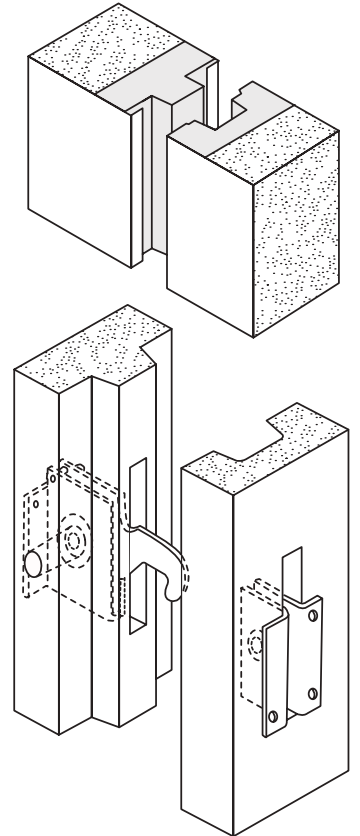
Note: To promote continuous improvement, specifications are subject to change without notice.



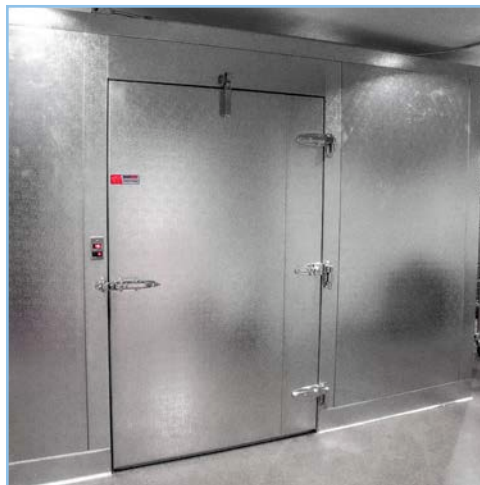
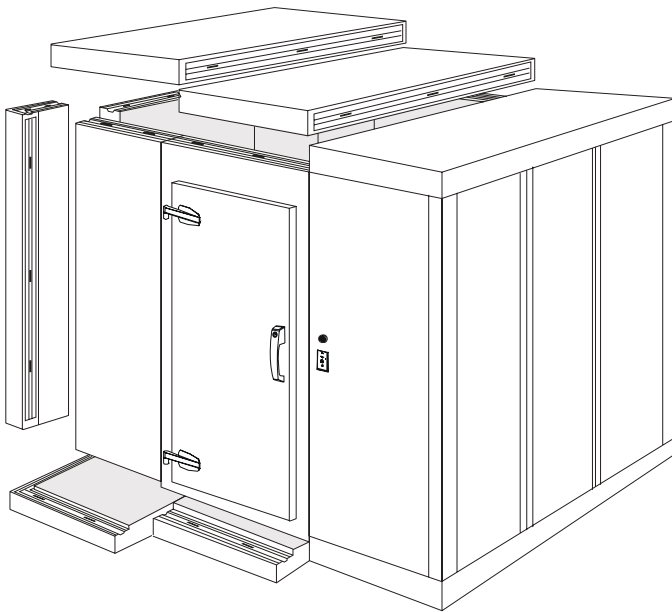
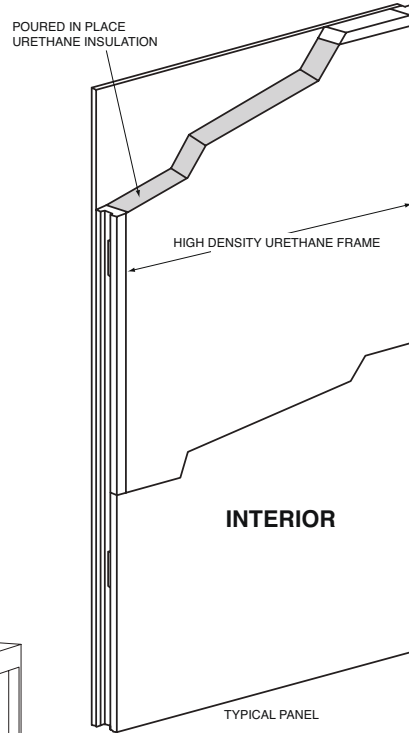
**CAM-LOC FASTENING
SHOWN WITH WRENCH**

The male lock is located on the tongue edges and the female lock is located on the groove. You will have access to the male lock through the holes punched in the interior metal panel surface.

TONGUE & GROOVE FASTENING



CAM-LOC FASTENERS



All panels have a tongue-in-groove, inter-locking design, with N.S.F. approved edge gaskets, resulting in an airtight structure.

**TYPICAL DETAILS FOR
PANEL ASSEMBLY**



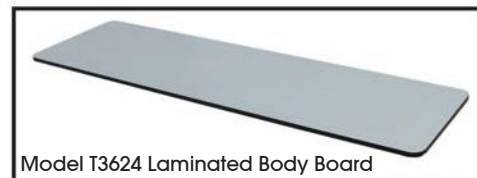
Model 7002 Series Racks



Model T3603 Molded Plastic Tray

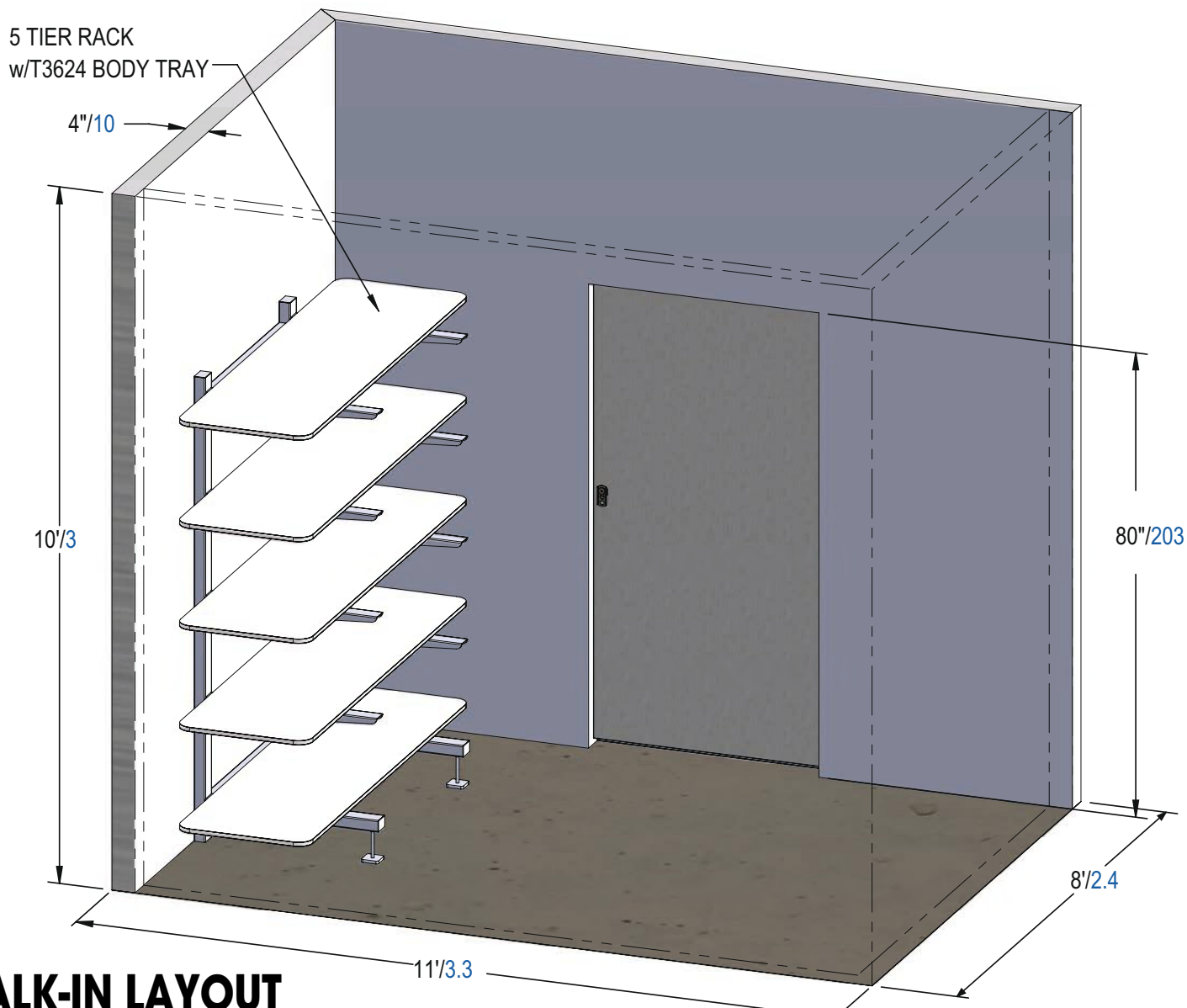


Model T3626HS Stainless Steel Tray



Model T3624 Laminated Body Board

measurements in inches/*centimeters* +-
measurements in feet/*meters* +-



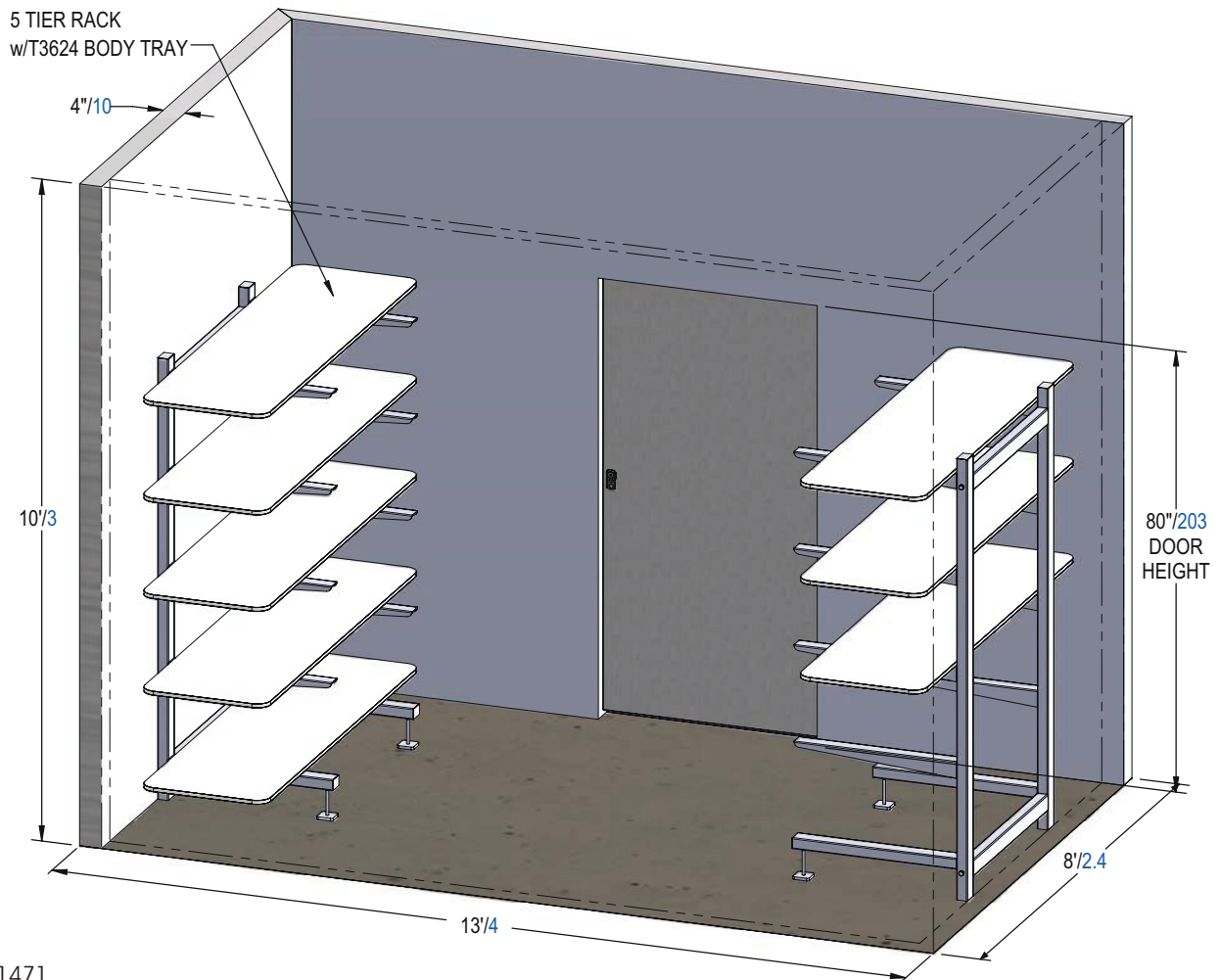
WALK-IN LAYOUT FOR 4 TO 5 BODY STORAGE



Model M678 w/T3603

WALK-IN LAYOUT FOR 8 TO 10 BODY STORAGE

measurements in inches/centimeters +
measurements in feet/meters +

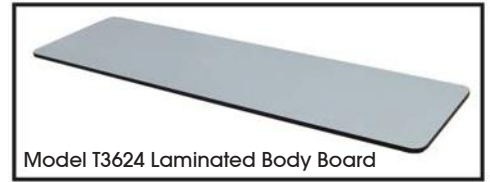




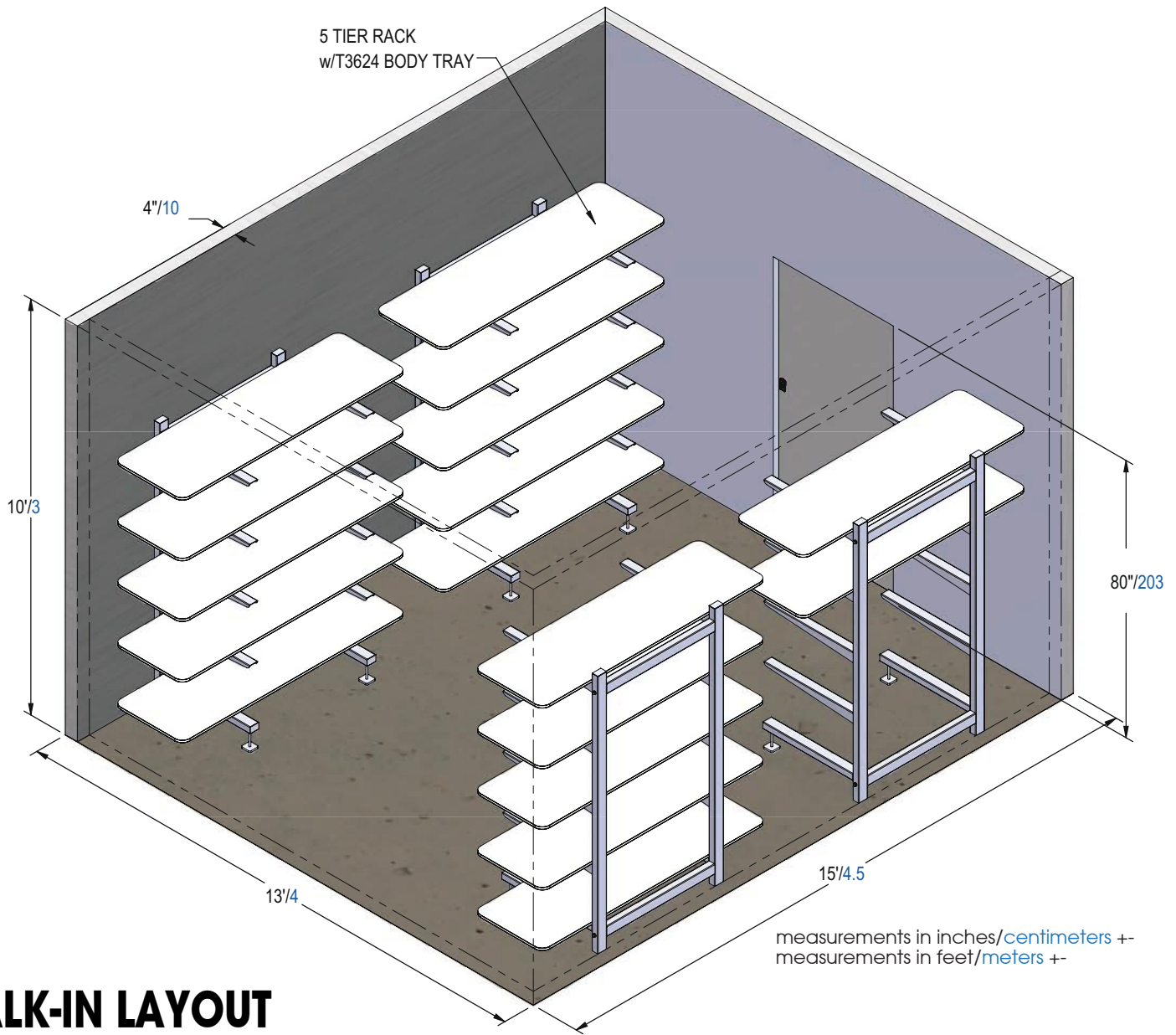
Model T3603 Molded Plastic Tray



Model T3626HS Stainless Steel Tray



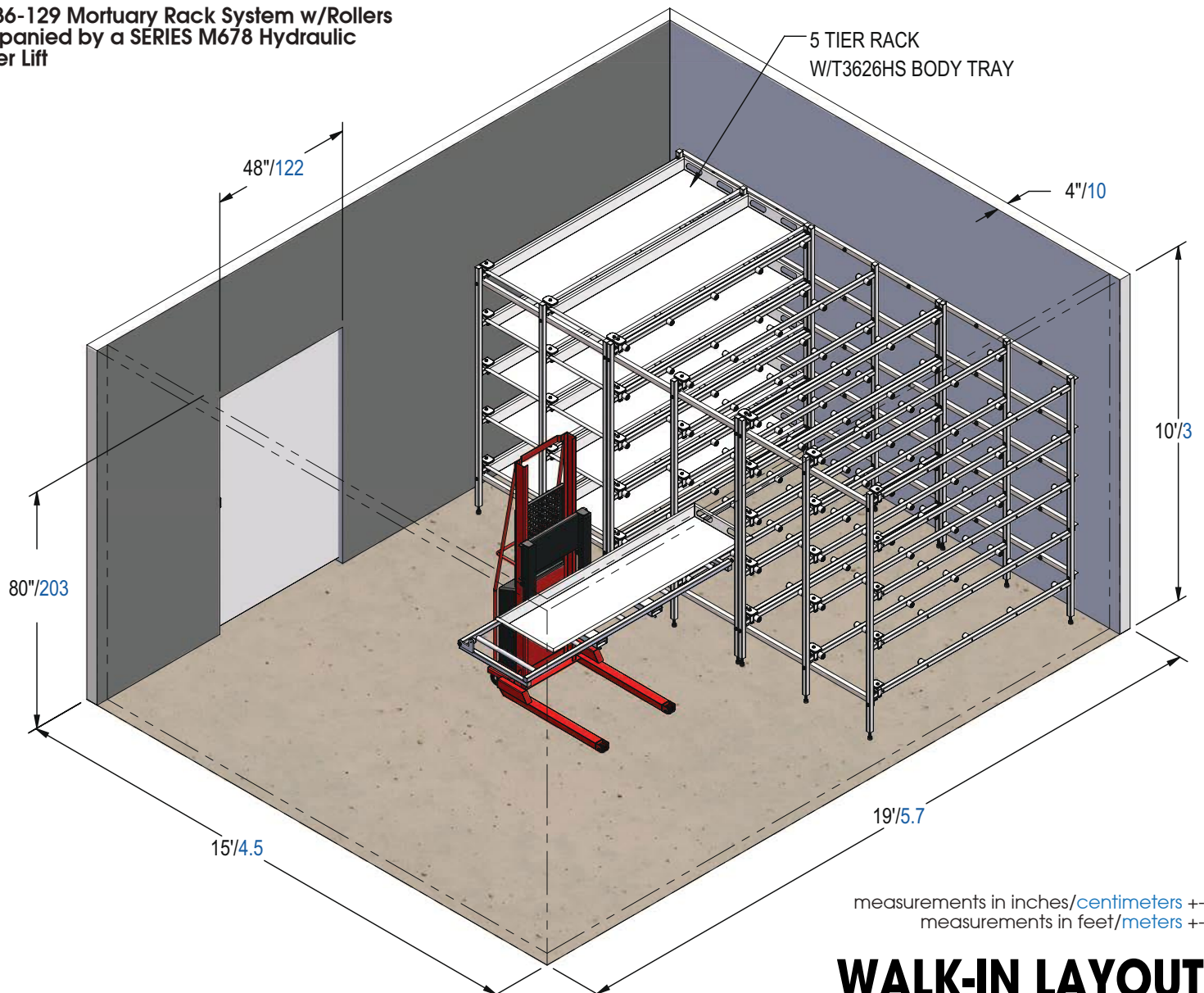
Model T3624 Laminated Body Board



WALK-IN LAYOUT FOR 16 TO 20 BODY STORAGE

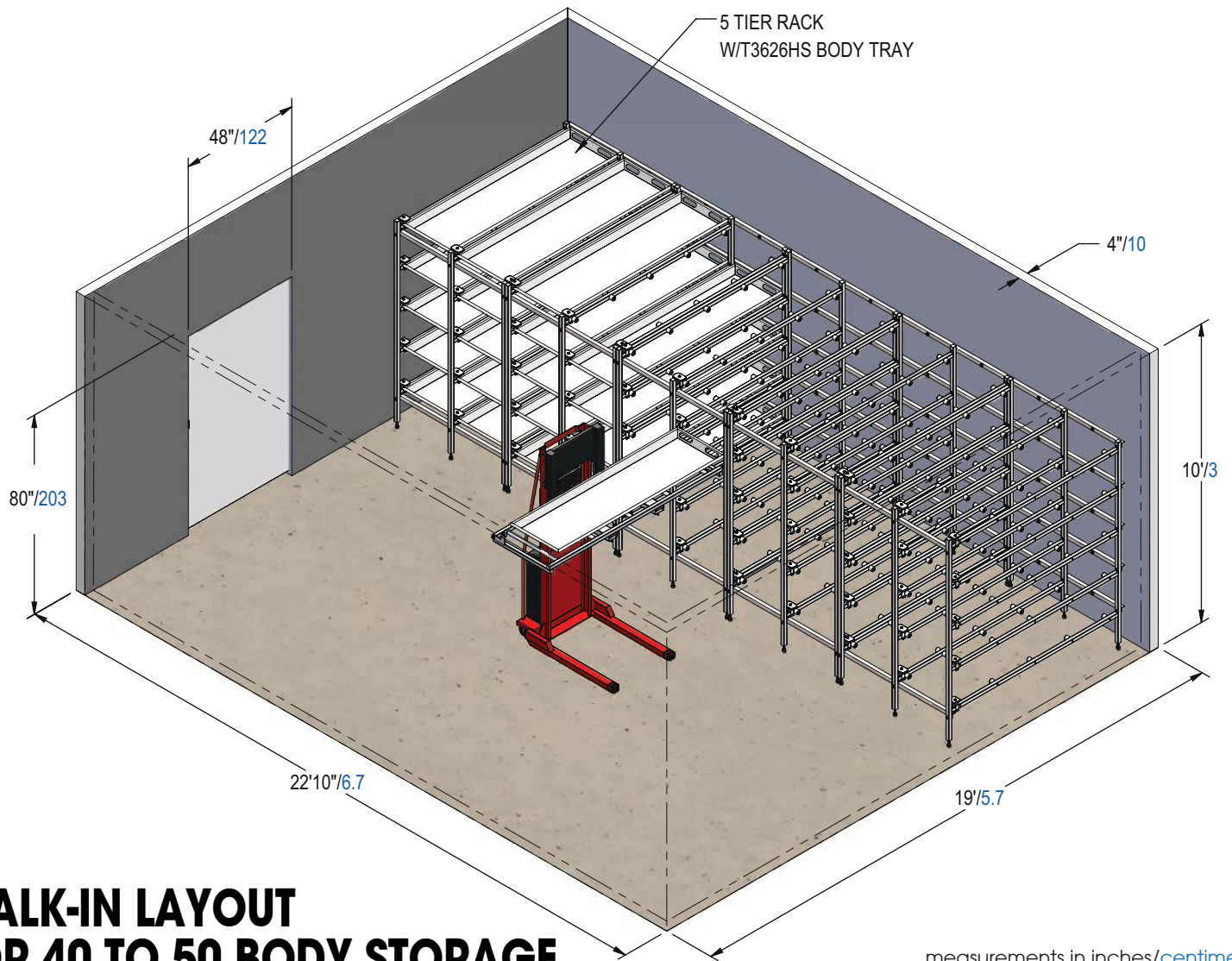


**SERIES 86-129 Mortuary Rack System w/Rollers
accompanied by a SERIES M678 Hydraulic
Cadaver Lift**



WALK-IN LAYOUT FOR 24 TO 30 BODY STORAGE

REFRIGERATION SYSTEMS



WALK-IN LAYOUT FOR 40 TO 50 BODY STORAGE

measurements in inches/[centimeters](#) +-
measurements in feet/[meters](#) +-



